

PART NR.

See dimensions table

COUNTRY OF ORIGIN

China

STANDARDS

REACH and RoHS compliant

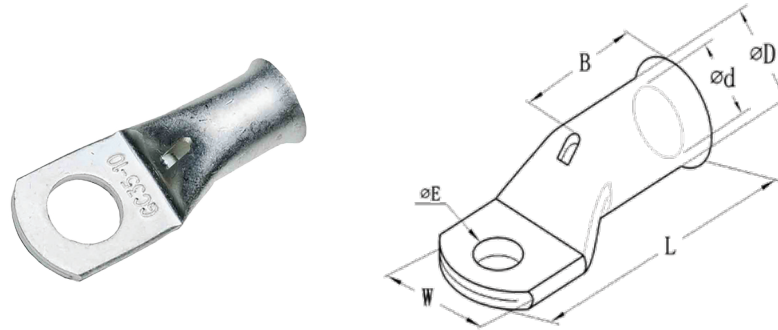
UL certified

CHARACTERISTICS

- With inspection hole

NON-INSULATED GC TUBE RING TERMINAL - WITH BELL MOUTH

PHOTO / TECHNICAL DRAWING



TECHNICAL SPECIFICATIONS

Material: Copper, tin plated

Max. temp.: 231 °C

Max. rating: 35 kV

DIMENSIONS

Wire size	Part nr.	Ø E	W	L	B	D	d	Packed	UL
22~16 AWG 0,5~1,5 mm ²	GC 1.5-3*	3,2	8,0	16,0	6,0	3,7	1,8	100	✓
	GC 1.5-4*	4,3	8,0	17,0	6,0	3,7	1,8	100	✓
	GC 1.5-5*	5,3	10,0	19,0	7,0	3,7	1,8	100	✓
	GC 1.5-6*	6,5	10,0	20,0	7,0	3,7	1,8	100	✓
16~14 AWG 1,5~2,5 mm ²	GC 2.5-3*	3,2	8,0	17,0	7,0	3,9	2,3	100	✓
	GC 2.5-4*	4,3	8,0	18,0	7,0	3,9	2,3	100	✓
	GC 2.5-5*	5,3	10,0	20,0	7,0	3,9	2,3	100	✓
	GC 2.5-6*	6,5	10,0	20,0	7,0	3,9	2,3	100	✓
	GC 2.5-8*	8,3	12,5	22,5	7,0	4,3	2,3	100	✓
12 AWG 4 mm ²	GC 4-4*	4,3	10,0	21,0	8,0	4,7	3,0	100	✓
	GC 4-5*	5,3	10,0	22,0	8,0	4,7	3,0	100	✓
	GC 4-6*	6,5	10,0	23,0	8,0	4,7	3,0	100	✓
	GC 4-8*	8,3	12,5	24,0	8,0	4,7	3,0	100	✓
10 AWG 6 mm ²	GC 6-4*	4,3	10,0	24,6	9,5	5,9	4,0	100	✓
	GC 6-5*	5,3	10,0	24,6	9,5	5,9	4,0	100	✓
	GC 6-6*	6,5	11,0	24,6	9,5	5,9	4,0	100	✓
	GC 6-8*	8,3	12,5	27,3	9,5	5,9	4,0	100	✓
	GC 6-10*	10,3	15,0	28,3	9,5	6,2	4,0	100	✓
8 AWG 10 mm ²	GC 10-4	4,3	11,0	30,0	13,0	6,6	4,5	100	✓
	GC 10-5	5,3	11,0	30,0	13,0	6,6	4,5	100	✓
	GC 10-6	6,5	11,0	30,0	13,0	6,6	4,5	100	✓
	GC 10-8	8,3	12,5	30,0	13,0	6,6	4,5	100	✓
	GC 10-10	10,3	16,0	34,1	13,0	6,9	4,5	100	✓
	GC 10-12	12,7	18,0	34,1	12,0	6,9	4,5	100	✓

* Because of their small size, these items can only be produced with straight barrel

NON-INSULATED GC TUBE RING TERMINAL - WITH BELL MOUTH

Wire size	Part nr.	Ø E	W	L	B	D	d	Packed	UL
6 AWG 16 mm ²	GC 16-5	5,3	11,0	30,7	14,0	7,5	5,5	100	✓
	GC 16-6	6,5	11,0	30,7	14,0	7,5	5,5	100	✓
	GC 16-8	8,3	12,5	30,7	13,0	7,5	5,5	100	✓
	GC 16-10	10,3	16,0	35,9	14,0	7,5	5,5	100	✓
	GC 16-12	12,7	18,0	35,9	13,0	8,1	5,5	100	✓
4 AWG 25 mm ²	GC 25-5	5,3	13,0	32,2	13,0	9,1	6,7	100	✓
	GC 25-6	6,5	13,0	32,2	13,0	9,1	6,7	100	✓
	GC 25-8	8,3	13,0	32,2	13,0	9,1	6,7	100	✓
	GC 25-10	10,3	16,0	36,9	14,0	9,1	6,7	100	✓
	GC 25-12	12,7	18,0	36,9	13,0	9,1	6,7	100	✓
2 AWG 35 mm ²	GC 25-14	14,8	20,0	38,9	13,0	9,1	6,7	100	✓
	GC 35-5	5,3	16,0	37,6	16,0	11,0	8,6	100	✓
	GC 35-6	6,5	16,0	37,6	16,0	11,0	8,6	100	✓
	GC 35-8	8,3	16,0	37,6	16,0	11,0	8,6	100	✓
	GC 35-10	10,3	16,7	41,5	16,0	11,0	8,6	100	✓
	GC 35-12	12,7	18,0	41,5	16,0	11,0	8,6	100	✓
	GC 35-14	14,8	20,0	43,5	16,0	11,0	8,6	100	✓
1/0 AWG 50 mm ²	GC 35-16	16,5	23,0	45,5	16,0	11,0	8,6	100	✓
	GC 50-5	5,3	18,0	41,0	17,0	12,4	9,5	100	✓
	GC 50-6	6,5	18,0	41,0	17,0	12,4	9,5	100	✓
	GC 50-8	8,3	18,0	41,0	17,0	12,4	9,5	100	✓
	GC 50-10	10,3	18,0	44,0	17,0	12,4	9,5	100	✓
	GC 50-12	12,7	19,0	44,0	17,0	12,4	9,5	100	✓
	GC 50-14	14,8	21,0	52,8	19,0	12,4	9,5	100	✓
2/0 AWG 70 mm ²	GC 50-16	16,5	23,0	52,8	19,0	12,4	9,5	100	✓
	GC 70-5	5,3	22,5	52,4	21,5	15,0	12,0	50	✓
	GC 70-6	6,3	22,5	52,4	21,5	15,0	12,0	50	✓
	GC 70-8	8,3	22,5	52,4	21,5	15,0	12,0	50	✓
	GC 70-10	10,3	22,5	52,4	21,5	15,0	12,0	50	✓
	GC 70-12	12,7	22,5	52,4	21,5	15,0	12,0	50	✓
	GC 70-14	14,8	22,5	55,0	21,5	15,0	12,0	50	✓
	GC 70-16	16,5	24,0	55,0	20,0	15,0	12,0	50	✓
3/0 AWG 95 mm ²	GC 70-20	21,0	30,0	70,5	20,0	15,0	12,0	50	✓
	GC 95-6	6,5	25,0	54,7	22,5	17,0	13,4	50	✓
	GC 95-8	8,3	25,0	54,7	22,5	17,0	13,4	50	✓
	GC 95-10	10,3	25,0	54,7	22,5	17,0	13,4	50	✓
	GC 95-12	12,7	25,0	54,7	22,5	17,0	13,4	50	✓
	GC 95-14	14,8	25,0	58,3	22,5	17,0	13,4	50	✓
	GC 95-16	16,8	25,0	58,3	22,5	17,0	13,4	50	✓

NON-INSULATED GC TUBE RING TERMINAL - WITH BELL MOUTH

Wire size	Part nr.	Ø E	W	L	B	D	d	Packed	UL
4/0 AWG 120 mm ²	GC 120-8	8,3	27,0	60,0	23,0	19,0	15,0	30	✓
	GC 120-10	10,3	27,0	60,0	23,0	19,0	15,0	30	✓
	GC 120-12	12,7	27,0	60,0	23,0	19,0	15,0	30	✓
	GC 120-14	14,8	27,0	64,0	23,0	19,0	15,0	30	✓
	GC 120-16	16,5	27,0	64,0	23,0	19,0	15,0	30	✓
250/300 kcmil 150 mm ²	GC 150-8	8,3	30,0	67,0	27,0	21,1	16,5	10	✓
	GC 150-10	10,3	30,0	67,0	27,0	21,2	16,5	10	✓
	GC 150-12	12,7	30,0	67,0	27,0	21,2	16,5	10	✓
	GC 150-14	14,8	30,0	67,0	27,0	21,2	16,5	10	✓
	GC 150-16	16,5	30,0	71,4	27,0	21,2	16,5	10	✓
	GC 150-20	20,9	30,0	71,4	27,0	21,2	16,5	10	✓
300/350 kcmil 185 mm ²	GC 185-10	10,3	34,0	73,0	30,0	23,0	19,0	4	✓
	GC 185-12	12,7	34,0	73,0	30,0	23,0	19,0	4	✓
	GC 185-14	14,8	34,0	73,0	30,0	23,0	19,0	4	✓
	GC 185-16	16,5	34,0	76,2	30,0	23,0	19,0	4	✓
	GC 185-20	20,9	34,0	76,2	30,0	23,0	19,0	4	✓
400/450 kcmil 240 mm ²	GC 240-10	10,3	38,0	91,4	38,0	26,5	21,0	5	✓
	GC 240-12	12,7	38,0	91,4	38,0	26,5	21,0	5	✓
	GC 240-14	14,8	38,0	91,4	38,0	26,5	21,0	5	✓
	GC 240-16	16,5	38,0	91,4	38,0	26,5	21,0	5	✓
	GC 240-20	20,9	38,0	91,4	38,0	26,5	21,0	5	✓
300 mm ²	GC 300-10	10,5	43,0	98,0	42,0	30,0	24,5	6	✓
	GC 300-12	12,7	43,0	98,0	42,0	30,0	24,5	6	✓
	GC 300-14	14,8	43,0	98,0	42,0	30,0	24,5	6	✓
	GC 300-16	16,5	43,0	98,0	42,0	30,0	24,5	6	✓
	GC 300-20	20,9	43,0	98,0	42,0	30,0	24,5	6	✓
400 mm ²	GC 400-12	12,7	49,0	104,0	44,0	35,0	27,0	1	✓
	GC 400-14	14,8	49,0	104,0	44,0	35,0	27,0	1	✓
	GC 400-16	16,5	49,0	104,0	44,0	35,0	27,0	1	✓
	GC 400-20	20,9	49,0	104,0	44,0	35,0	27,0	1	✓