

**OPEN BARREL FLAG TERMINAL - 7.9 TAB**

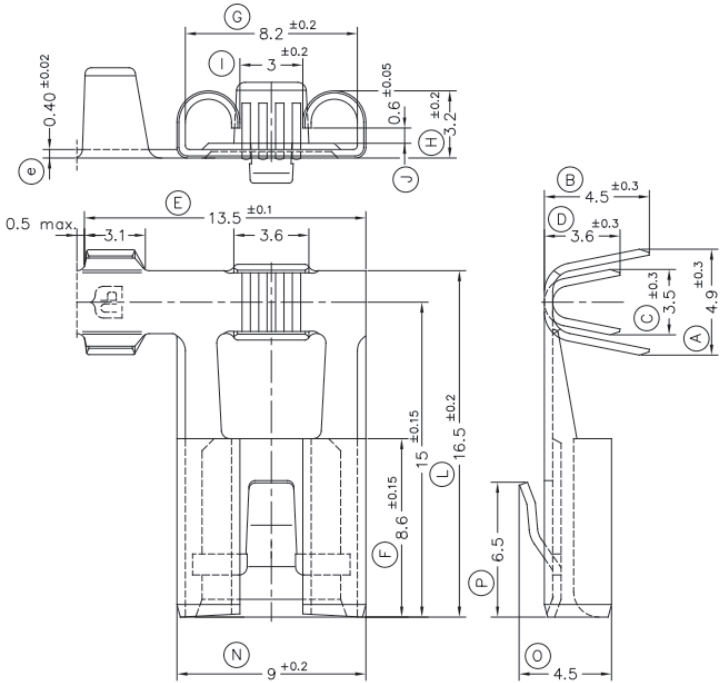
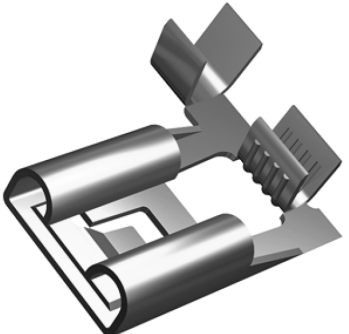
**PART NR.**  
 See dimensions table  
**MS** on strip  
**ML** loose piece

**COUNTRY OF ORIGIN:**  
 Spain

**STANDARDS:**  
 REACH and RoHS compliant  
 DIN 46340

**TECHNICAL SPECIFICATIONS**  
**Material:** Brass, with tin plating  
**Max. temperature:** Tin plated 120 °C  
**Max. rated current:** 1,00 mm<sup>2</sup> 12A  
 1,50 mm<sup>2</sup> 16A  
 2,50 mm<sup>2</sup> 20A

**PHOTO / TECHNICAL DRAWING**



**DIMENSIONS**

Wire range	Part nr. tin plated	Tabsize	L	F	N	Dimple/ locking tab	Pcs/roll MOQ
1,0~2,5 mm <sup>2</sup>	10-004-ML-TA	7,9x0,75	16,5	8,6	9,0	locking tab	1.000

**CRIMPING PARAMETERS & PULL-OUT FORCE**

Terminal	Wire section (± 10%)	Conductor		Insulator Width (mm)	Pull-out force (N)
		Height (mm)	Width (mm)		
10-004-ML-TA	1,00 mm <sup>2</sup>	1,55 (± 0,05)	2,90 (± 0,05)	3,70 (± 0,10)	108N@60s
	1,50 mm <sup>2</sup>	1,67 (± 0,05)	2,90 (± 0,05)	3,70 (± 0,10)	150N@60s
	2,00 mm <sup>2</sup>	1,80 (± 0,05)	2,90 (± 0,05)	3,75 (± 0,10)	150N@60s
	2,50 mm <sup>2</sup>	1,95 (± 0,05)	2,95 (± 0,05)	3,77 (± 0,10)	230N@60s