

**PART NR.**  
02-006-ML-TA loose piece

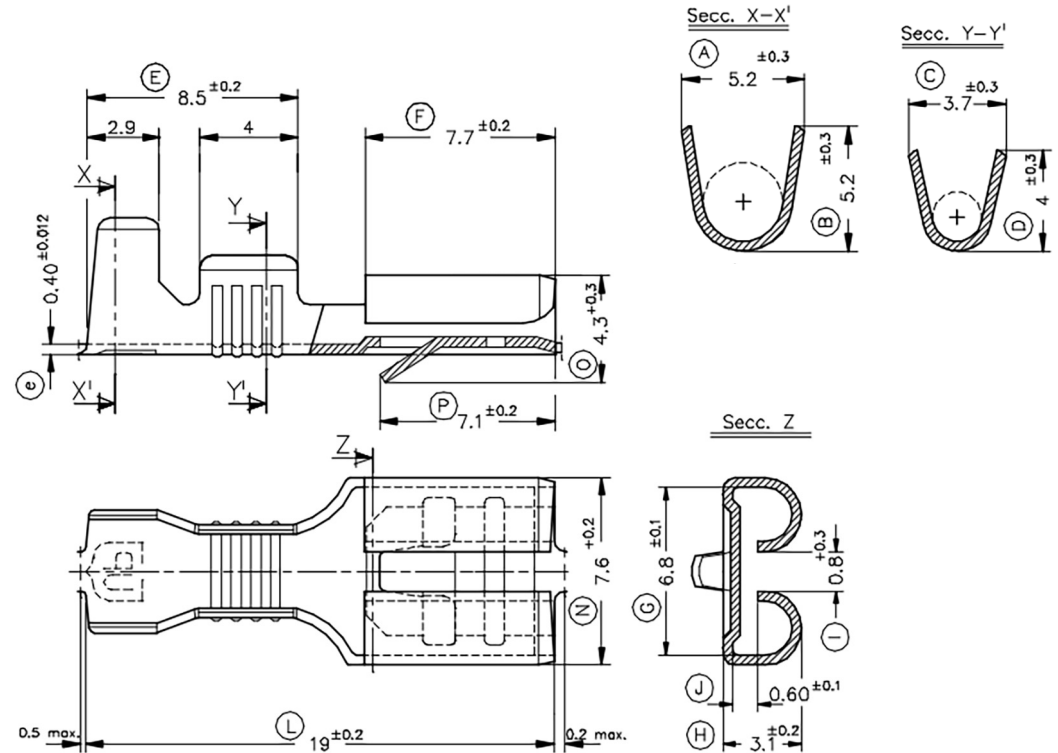
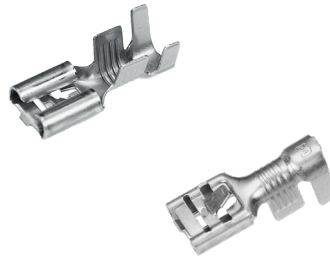
**COUNTRY OF ORIGIN**  
Spain

**STANDARDS**  
REACH and RoHS compliant  
DIN 46340  
UL listed

**TECHNICAL SPECIFICATIONS**

**Material:** Brass, with tin plating  
**Max. temperature:** 120 °C  
**Max. rated current:** 1,00 mm<sup>2</sup> 12A  
1,50 mm<sup>2</sup> 16A  
2,50 mm<sup>2</sup> 20A

**PHOTO / TECHNICAL DRAWING**



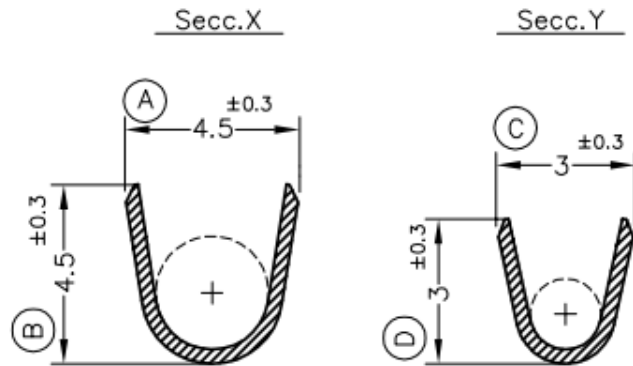
**DIMENSIONS**

Wire range	Part nr. tin plated	Tabsize	L	F	N	Dimple/ locking tab	MOQ	UL
1,0-2,5	02-006-ML-TA	6,3 x 0,8	19,0	7,7	7,6	locking tab	1.000	✓

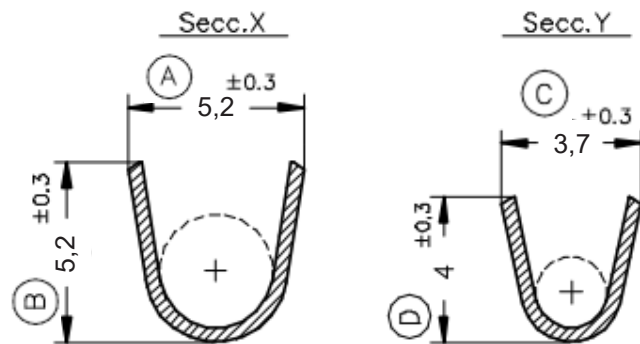
**CRIMPING PARAMETERS & PULL-OUT FORCE**

Terminal	Wire section (± 10%)	Conductor		Insulator	Pull-out force (N)
		Height (mm)	Width (mm)	Width (mm)	
02-006-ML-TA	1,00 mm <sup>2</sup>	1,55 (± 0,05)	3,04 (± 0,05)	4,07 (± 0,10)	108N@60s
	1,50 mm <sup>2</sup>	1,70 (± 0,05)	3,04 (± 0,05)	4,07 (± 0,10)	150N@60s
	2,00 mm <sup>2</sup>	1,80 (± 0,05)	3,05 (± 0,05)	4,09 (± 0,10)	150N@60s
	2,50 mm <sup>2</sup>	1,90 (± 0,05)	3,06 (± 0,05)	4,13 (± 0,10)	230N@60s

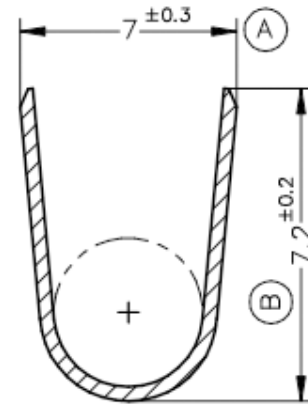
0,5-1,0 mm<sup>2</sup>



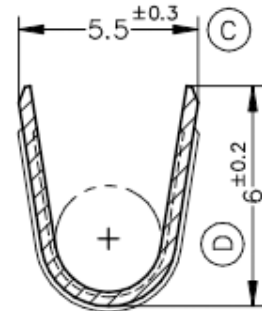
1,0-2,5 mm<sup>2</sup>



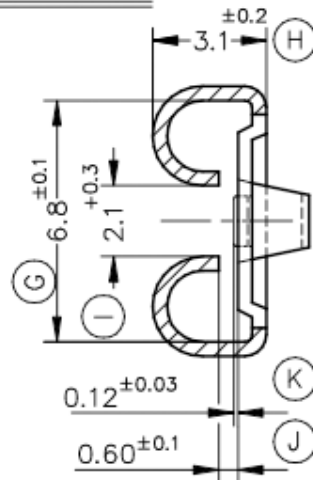
Secc. X-X'



Secc. Z-Z'



Secc. Y-Y'



COMBINACION DOBLE ENGASTADURA					CABLE SECCION MAYOR ARRIBA
mm <sup>2</sup>	1.0	1.5	2.5	4	
1.0			X	X	X
1.5		X	X	X	
2.5			X		

CABLE SECCION MENOR ABAJO

