

SQUARE MARKER LIGHTS - BULB

PART NR.
LT906
LT910
LT911
LT912

amber with reflector
white
white with reflector
red

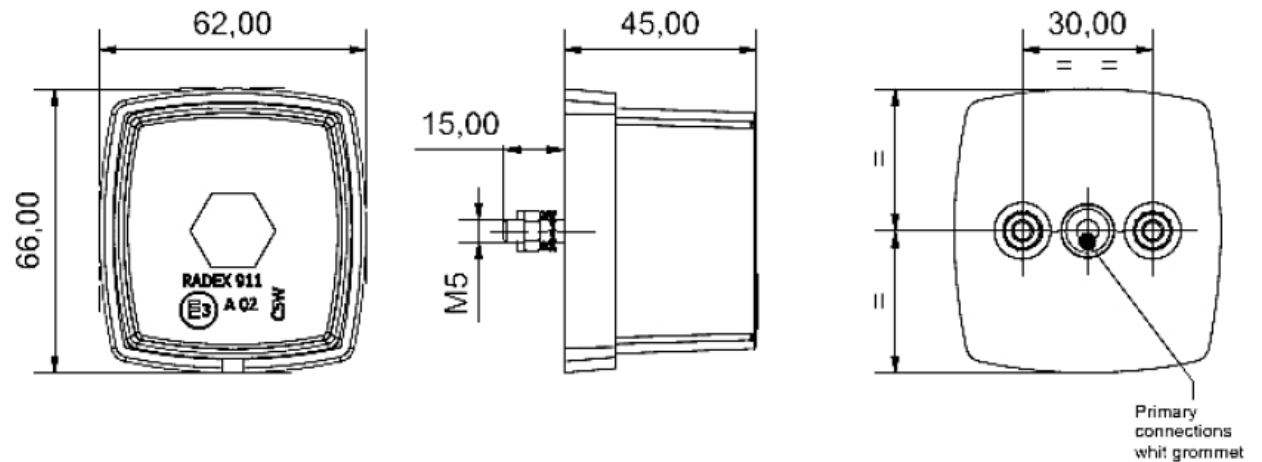
COUNTRY OF ORIGIN
Italy

STANDARDS
REACH and RoHS compliant
ECE E3 approved

CHARACTERISTICS

- Cable and bulb (C5W, 38 mm) not included

PHOTO / TECHNICAL DRAWING



DIMENSIONS

L x W x H: 66 x 62 x 45 mm

TECHNICAL SPECIFICATIONS

Lens: PMMA, amber white or red
Gasket: PP20T, black
Primary connection: With grommet
Screw holes: Spaced 30 mm
Working temp.: -20 ~ 50 °C
Voltage: 12V