

HEAT SHRINKABLE FEMALE DISCONNECTOR FULLY INSULATED

PART NR.

See dimensions table

COUNTRY OF ORIGIN:

China

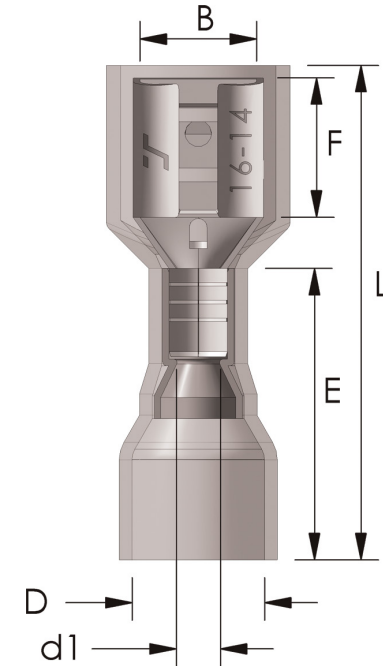
STANDARDS:

REACH and RoHS compliant
Waterproof
UL listed

CHARACTERISTICS:

- Shrink ratio: 3:1
- Excellent conductivity property
- High transparency, high tensile strength
- Excellent stretch and mechanical damage resistance
- High elasticity keeps steady performance
- Water proof and moisture resistance
- Operating temperature: -55~125 °C
- Minimum shrink temp.: 180 °C

PHOTO / TECHNICAL DRAWING



DIMENSIONS

Wire range	Part nr.	tab	B	L	E	D	d1	UL
22~18 AWG	HSF 1.25-187A8	4,8x0,8	5,2	30,0	21,0	4,8	1,7	✓
0,5~1,5 mm ²	HSF 1.25-250A	6,3x0,8	6,6	30,0	21,0	7,0	1,7	✓
16~14 AWG	HSF 2-187A8	4,8x0,8	5,2	30,0	21,0	5,8	2,3	✓
1,5~2,5 mm ²	HSF 2-250A	6,3x0,8	6,6	30,0	21,0	7,0	2,3	✓
12~10 AWG	HSF 5.5-250A	6,3x0,8	6,6	32,0	25,0	7,0	3,4	✓
4~6 mm ²								

TECHNICAL SPECIFICATIONS

Terminal: Brass, tin plated
 Insulation: Nylon (PA 66), with adhesive lining
 Operating temperature: -55~125 °C
 Min. shrink temperature: 180 °C
 Shrink ratio: 3:1
 Max. electrical current: 600V

HEAT SHRINKABLE FEMALE DISCONNECTOR FULLY INSULATED

Property	Specification Requirement	Test Method	Typical Value
Tensile strength (Room temp.)	Min. 10.4Mpa	UL224	18.5Mpa
Elongation at break (Room temp.)	Min. 200%	UL224	450%
Tensile strength after aging (158°C 168hrs)	Min. 7.3Mpa	UL224	15Mpa
Elongation after aging (158°C 168hrs)	Min. 100%	UL224	220%
Voltage withstand (Un-aged)	Withstand 2.5kV for 1 minute and breakdown	UL224	Pass
Voltage withstand (Aged)	Withstand at least half of un-aged breakdown voltage for 1 minute and breakdown	UL224	Pass
Cold bend (-30°C 1hrs)	No crack	UL224	Pass
Maximum secant modulus (2%)	173Mpa	UL224	Pass
Volume resistivity	Min. $10^{14}\Omega\cdot\text{cm}$	UL224	Pass
Heat shock (250°C 4hrs)	No crack	ASTM D2671	Pass
Dielectric strength	>15.8kV/mm	ASTM D2671	>25kV/mm