

QUICK SPLICE CONNECTOR - SINGLE TAB

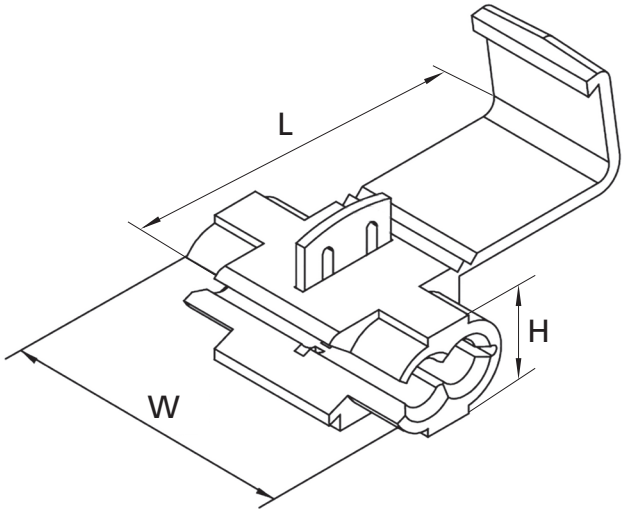
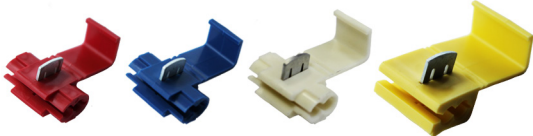
PART NR.
See dimensions table

COUNTRY OF ORIGIN:
Taiwan

STANDARDS:
REACH and RoHS compliant

UL listed

PHOTO / TECHNICAL DRAWING



DIMENSIONS

Wire range	Part nr.		W	H	L	UL
22~18 AWG 0,5~1,0 mm ²	CL 1.0-TA		20,0	8,0	26,8	✓
18~14 AWG 1,0~2,5 mm ²	CL 2.5-TALB		20,0	8,0	26,8	✓
18~14 AWG 1,0~2,5 mm ²	CL 2.5-TAW		20,0	8,0	26,8	✓
12~10 AWG 4~6 mm ²	CL 5.5-TA		20,0	11,0	35,0	✓

TECHNICAL SPECIFICATIONS

Terminal:	Brass, tin plated
Insulation:	Polypropylene (PP)
Max. temperature:	105 °C
Max. electrical current:	600V
Max. electrical rating:	red 7A
	blue and white 15A
	yellow 24A