

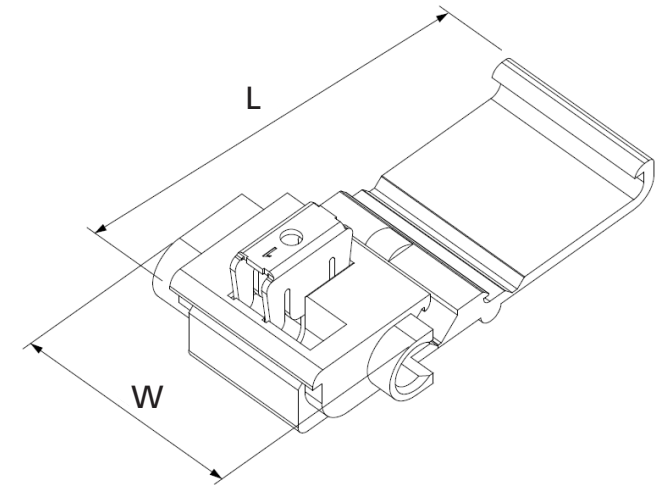
**PART NR.**  
See dimensions table

**COUNTRY OF ORIGIN:**  
Taiwan

**STANDARDS:**  
REACH and RoHS compliant

## QUICK SPLICE CONNECTOR - DOUBLE TAB

### PHOTO / TECHNICAL DRAWING



### DIMENSIONS

| Wire range                                      | Part nr. |  | W    | L    | UL |
|---|----------|--|------|------|----|
| 22~18 AWG<br>0,5~1,0 mm <sup>2</sup>            | OWE 1.25 |  | 19,4 | 33,0 |    |
| 18~14 AWG<br>1,0~2,5 mm <sup>2</sup>            | OWE 2    |  | 19,4 | 33,0 |    |
| 18~14/12~10 AWG<br>0,75~2,5/4~6 mm <sup>2</sup> | OWE 4.0  |  | 21,1 | 33,5 |    |

### TECHNICAL SPECIFICATIONS

|                          |                                 |
|--------------------------|---------------------------------|
| Terminal:                | Brass, tin plated               |
| Insulation:              | Polypropylene (PP)              |
| Max. temperature:        | 105 °C                          |
| Max. electrical current: | 600V                            |
| Max. electrical rating:  | red 7A<br>blue 15A<br>brown 24A |