

PVC HOOK TERMINAL 0° - STANDARD

PART NR.

See dimensions table

COUNTRY OF ORIGIN:

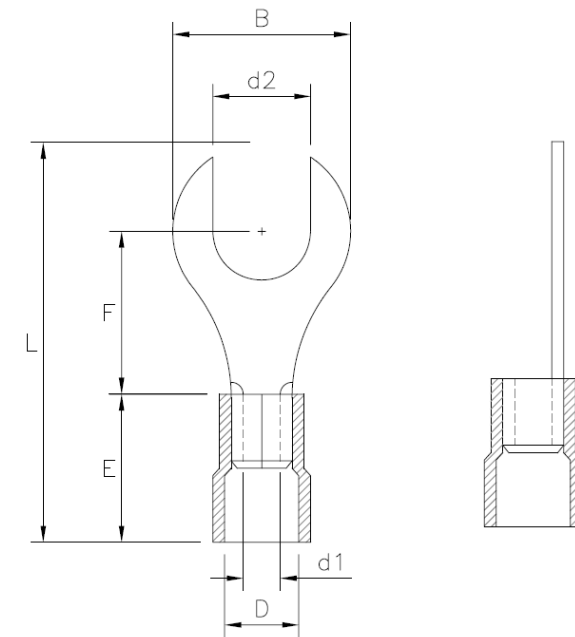
Taiwan

STANDARDS:

REACH and RoHS compliant

UL listed

PHOTO / TECHNICAL DRAWING



DIMENSIONS

Wire range	Part nr.	d2	B	F	L	E	D	d1	UL
22~16 AWG 0,5~1,5 mm ²	BFV 1.25-4X	4,3	8,0	7,0	20,5	10,0	4,1	1,7	✓
	BFV 1.25-5X	5,3	8,0	7,0	20,0	10,0	4,1	1,7	✓
	BFV 1.25-6X	6,5	11,6	11,1	25,8	10,0	4,1	1,7	✓
16~14 AWG 1,5~2,5 mm ²	BFV 2-6X	6,5	12,0	11,0	26,0	10,0	4,5	2,3	✓
12~10 AWG 4~6 mm ²	BFV 5.5-4X	4,3	9,5	8,3	25,0	12,5	6,5	3,4	✓
	BFV 5.5-6X	6,5	12,0	10,5	28,0	12,5	6,5	3,4	✓
	BFV 5.5-8X	8,4	15,0	13,7	32,4	12,5	6,5	3,4	✓

TECHNICAL SPECIFICATIONS

Terminal:	Copper, tin plated
Insulation:	Vinyl (PVC)
Operating temperature:	-10~75 °C
Max. electrical current:	600V
Max. electrical rating:	red 19A blue 27A yellow 48A