

**PART NR.**  
See dimensions table

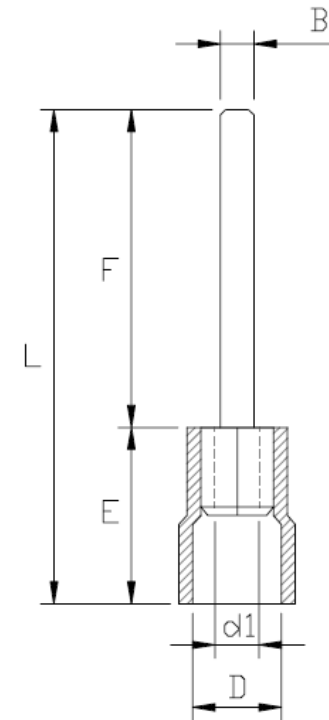
**COUNTRY OF ORIGIN:**  
Taiwan

**STANDARDS:**  
REACH and RoHS compliant

**PHOTO / TECHNICAL DRAWING**



**PVC PIN TERMINAL - STANDARD**



**DIMENSIONS**

Wire range	Part nr.	B	F	L	E	ØD	Ød1	UL
22~16 AWG 0,5~1,5 mm <sup>2</sup>	RBFVPC 1.25-F7	1,9	7,5	17,5	10,0	4,1	1,7	
16~14 AWG 1,5~2,5 mm <sup>2</sup>	RBFVPC 2-F7	1,9	8,5	18,5	10,0	4,5	2,3	

**TECHNICAL SPECIFICATIONS**

Terminal: Copper, tin plated  
Insulation: Vinyl (PVC)  
Operating temperature: -10~75 °C  
Max. electrical current: 600V  
Max. electrical rating: red 19A  
blue 27A  
yellow 48A