

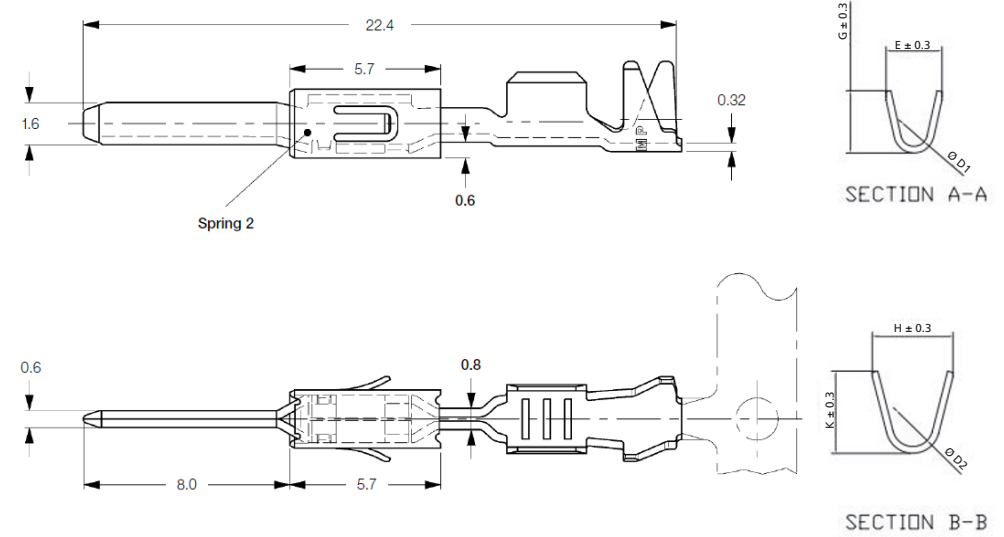
PART NR.
See dimensions table

COUNTRY OF ORIGIN
China

STANDARDS
REACH and RoHS compliant

VAG 1.5 SERIES MALE TERMINAL

PHOTO / TECHNICAL DRAWING



DIMENSIONS

Wire range	Part nr.	Tab-size	L	E	G	D1	H	K	D2	MOQ	UL
0,5~1,0	DJ615B-1.5x0.8A	1,6x0,6	22,4	2,5	2,7	1,2	3,2	3,4	1,9	100	

TECHNICAL SPECIFICATIONS

Material: Brass, tin plated
Tabsize: 1,6x0,6 mm