

PART NR.

H282109-1 male

H282110-1 female

COUNTRY OF ORIGIN:

China

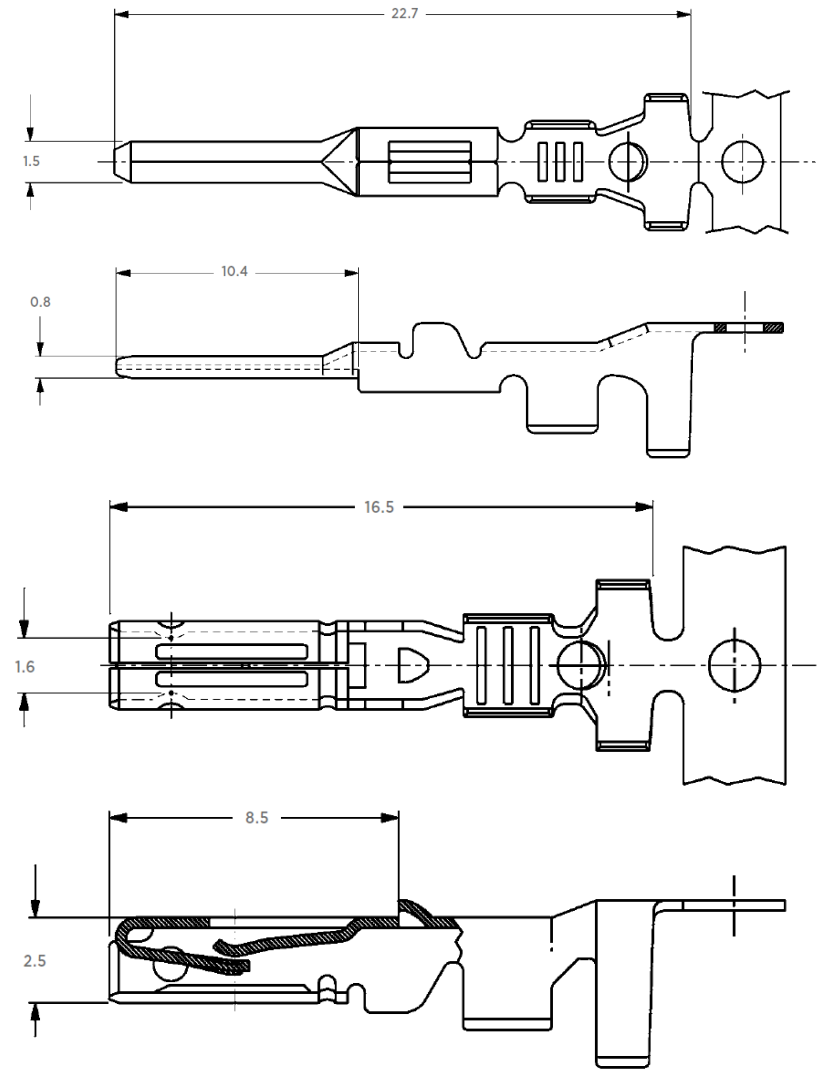
STANDARDS:

REACH and RoHS compliant

PHOTO / TECHNICAL DRAWING



SUPERSEAL 1.5 SERIES TERMINAL



DIMENSIONS

Part nr.	Wire size	Tabsize	L	MOQ	UL
H282109-1	0,75-1,5 mm ²	1,5x0,8 mm	22,7 mm	100	
H282110-1	0,75-1,5 mm ²	1,5x0,8 mm	16,5 mm		

TECHNICAL SPECIFICATIONS

Material:

Brass, tin plated

Max. rated current:

14A

www.ae-industries.nl