

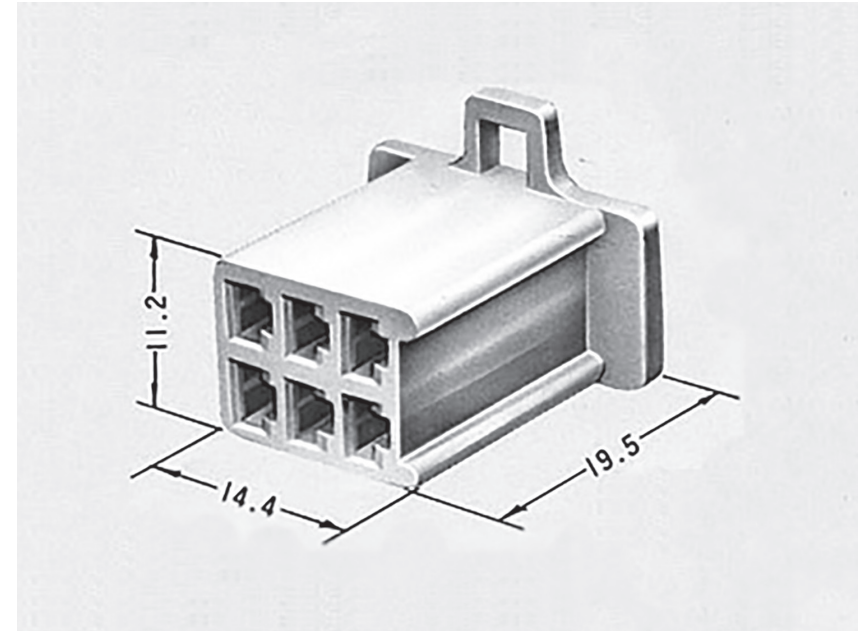
**PART NR.**  
**60406111**

**COUNTRY OF ORIGIN:**  
**China**

**STANDARDS:**  
**REACH and RoHS compliant**

## 6 WAY CONNECTOR FOR FEMALE 2.8 TAB OPEN-BARREL TERMINALS

### PHOTO / TECHNICAL DRAWING



### DIMENSIONS

L x W x H: 19,5 x 14,4 x 11,2 mm

### TECHNICAL SPECIFICATIONS

Material: Nylon (PA 66)  
Color: Clear  
Matching terminal:

