

PART NR.
DTP04-2P

COUNTRY OF ORIGIN
China

STANDARDS
REACH and RoHS compliant
Flammability: UL94 V-0
Protection: IP68, IP6K9K

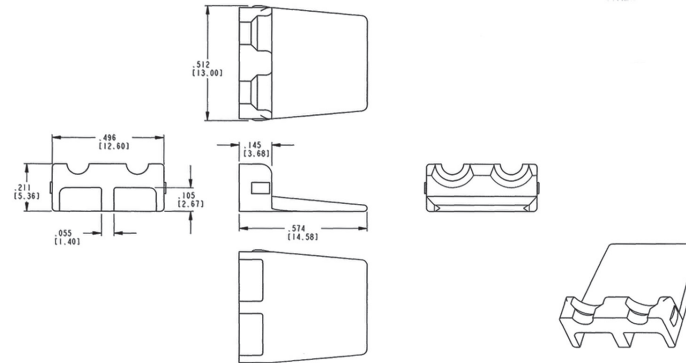
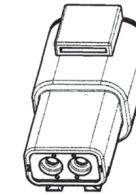
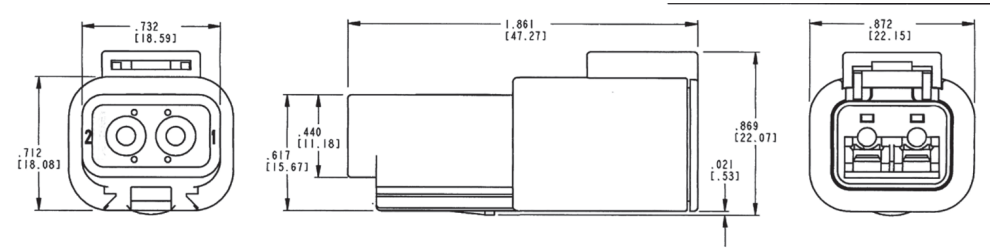
CHARACTERISTICS

- With grommet and wedge lock
- To be used with size 12 terminals, max 25A

PHOTO / TECHNICAL DRAWING



2 POLE MALE DEUTSCH DTP CONNECTOR



DIMENSIONS

L x W x H: 47,27 x 18,59 x 18,08 mm (housing)
14,58 x 13,00 x 5,36 mm (wedge lock)

TECHNICAL SPECIFICATIONS

Housing: PA66 GF15, grey
Grommet: VMQ silicone, burnt red
Inner seal: VMQ silicone, burnt red
Wedge lock: PBT, orange
Temperature range: -55~125 °C
Max. current rating: 25A