

DEUTSCH DTM TERMINALS - OPEN-BARREL

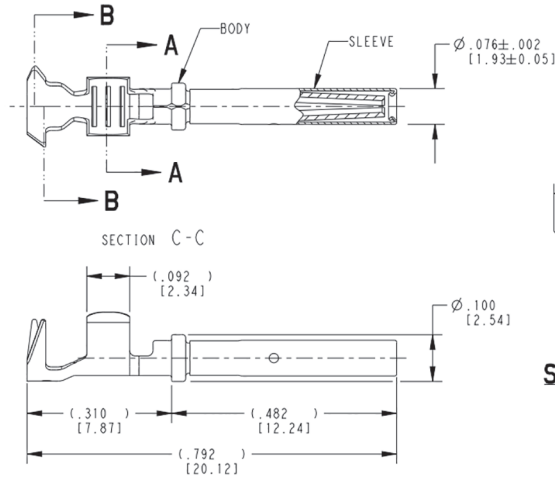
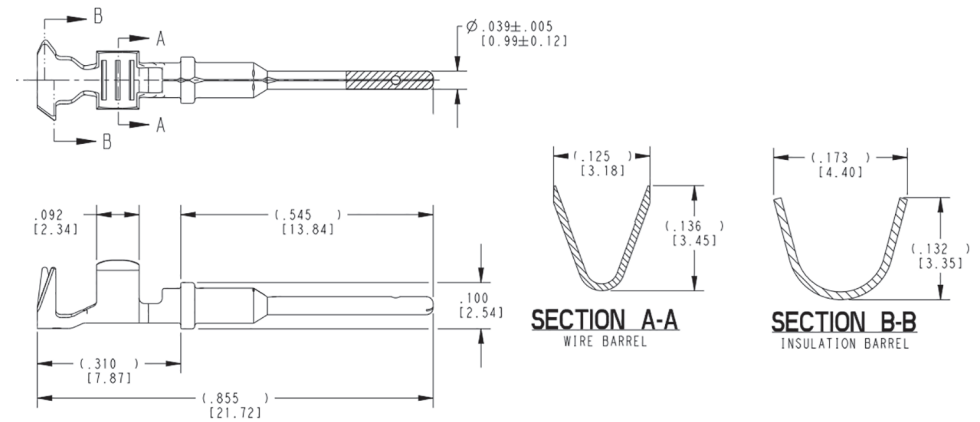
PART NR.
See dimensions tables

COUNTRY OF ORIGIN
China

STANDARDS
REACH and RoHS compliant

- CHARACTERISTICS**
- Contact size 20
 - Low halogen

PHOTO / TECHNICAL DRAWING



DIMENSIONS

	Part nr.	Wire range mm ²	Wire range AWG	MOQ
Male terminal	1060-30-0122	0,35-1,5 mm ²	22-16	100
Female terminal	1062-30-0222	0,35-1,5 mm ²	22-16	100

TECHNICAL SPECIFICATIONS

Material: Brass, nickel plated
 Primary locking feature: On the terminal
 Temperature range: -55~125 °C
 Typical current rating: 7,5A
 Terminal transmits: 0~24A (low power)