

PART NR.
DTM04-4P

COUNTRY OF ORIGIN
China

STANDARDS
REACH and RoHS compliant
Flammability: UL94 V-0
Protection: IP68, IP6K9K

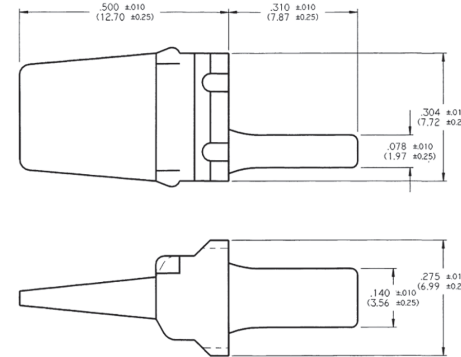
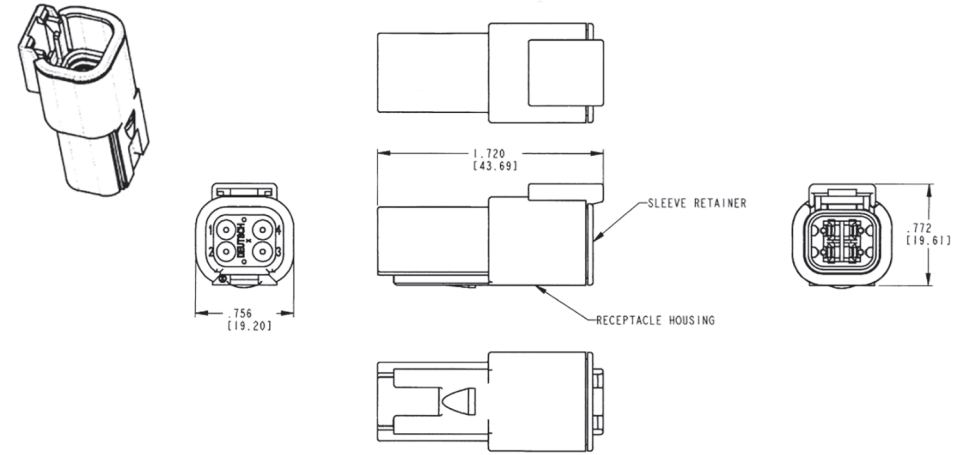
CHARACTERISTICS

- With grommet and wedge lock
- To be used with size 20 terminals, max 7,5A

PHOTO / TECHNICAL DRAWING



4 POLE MALE DEUTSCH DTM CONNECTOR



DIMENSIONS

L x W x H:

43,69 x 19,20 x 19,61 mm (housing)
20,57 x 7,72 x 6,99 mm (wedge lock)

TECHNICAL SPECIFICATIONS

Housing: PA66 GF15, grey
Grommet: VMQ silicone, burnt red
Inner seal: VMQ silicone, burnt red
Wedge lock: PBT, orange
Temperature range: -55~125 °C
Max. current rating: 7,5A