

**PART NR.**  
**DTM06-8S**

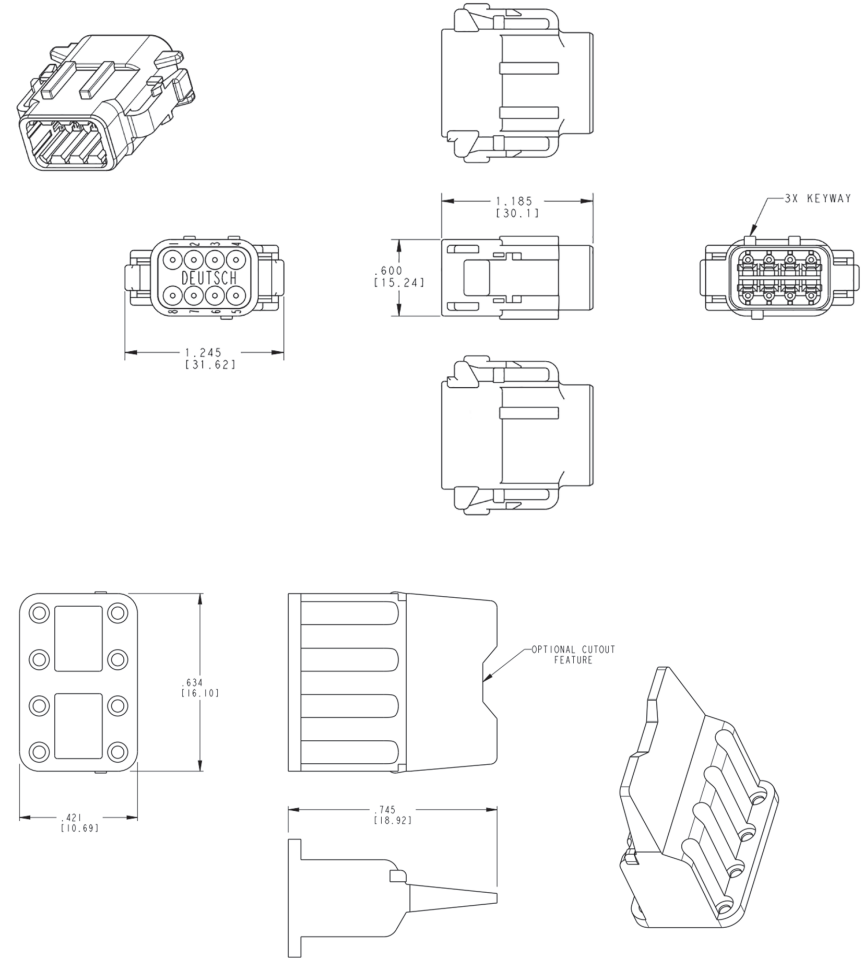
**COUNTRY OF ORIGIN**  
China

**STANDARDS**  
REACH and RoHS compliant  
Flammability: UL94 V-0  
Protection: IP68, IP6K9K

**CHARACTERISTICS**

- With grommet and wedge lock
- To be used with size 20 terminals, max 7,5A

**PHOTO / TECHNICAL DRAWING**



**DIMENSIONS**

L x W x H:

30,10 x 31,62 x 15,24 mm (housing)  
18,92 x 16,10 x 10,69 mm (wedge lock)

**TECHNICAL SPECIFICATIONS**

Housing: PA66 GF15, grey  
Grommet: VMQ silicone, burnt red  
Wedge lock: PBT, orange  
Temperature range: -55~125 °C  
Max. current rating: 7,5A