

PART NR.
DTM06-6S

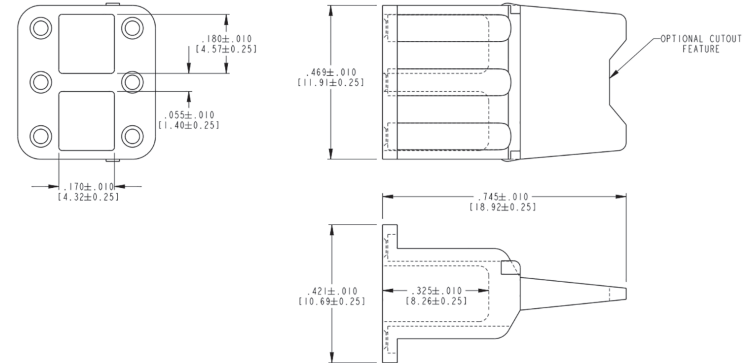
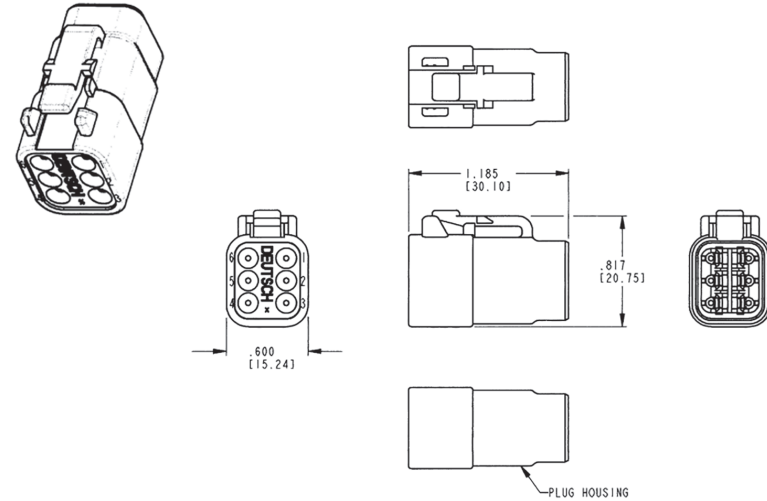
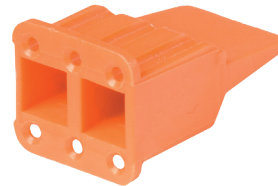
COUNTRY OF ORIGIN
China

STANDARDS
REACH and RoHS compliant
Flammability: UL94 V-0
Protection: IP68, IP6K9K

CHARACTERISTICS

- With grommet and wedge lock
- To be used with size 20 terminals, max 7,5A

PHOTO / TECHNICAL DRAWING



DIMENSIONS

L x W x H:

30,10 x 15,24 x 20,75 mm (housing)
18,92 x 11,91 x 10,69 mm (wedge lock)

TECHNICAL SPECIFICATIONS

Housing: PA66 GF15, grey
Grommet: VMQ silicone, burnt red
Wedge lock: PBT, orange
Temperature range: -55~125 °C
Max. current rating: 7,5A