

PART NR.
See rating table

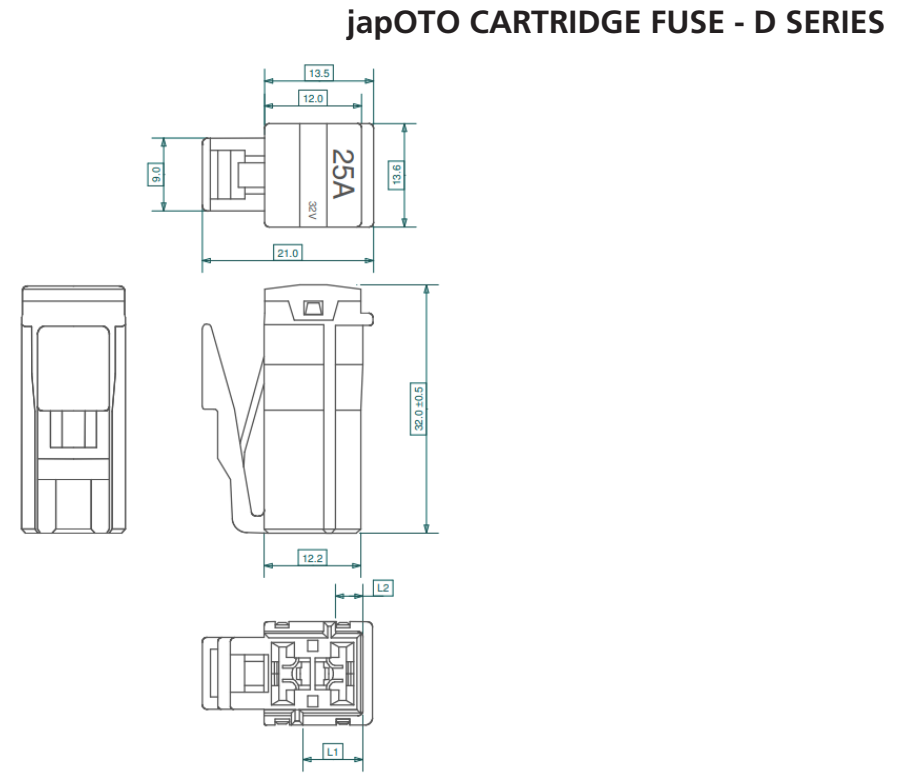
COUNTRY OF ORIGIN
Japan

STANDARDS
REACH and RoHS compliant
ISO 8820-4
JASO D612

CHARACTERISTICS

- Meets international specs, complies to JASO D612 and other standards
- Element visibility from top through transparent cover
- Robust/sturdy body construction
- Safe and highly reliable operation through ceramic heat sink construction
- Self extinguishing, color coded body materials
- High temperature resistive plastics used for fuse body materials
- Secure and controlled time-delayed functioning with purpose designed elements
- Integrated, durable, Cu alloy receptacles
- Used in Japanese, European, American and Korean designed vehicles

PHOTO / TECHNICAL DRAWING



DIMENSIONS

L x W x H: 13,6 x 12 (+9) x 32 mm

RATING TABLE

Part nr.	Color	Rating (A)	Rating (V)
CBF025D	brown	25	32
CBF030D	green	30	32

TECHNICAL SPECIFICATIONS

Body: PA66-GF20, color coded
 Cover: PC, clear
 Receptacles: Cu alloy