

japOTO CARTRIDGE FUSE - C SERIES

PART NR.
See rating table

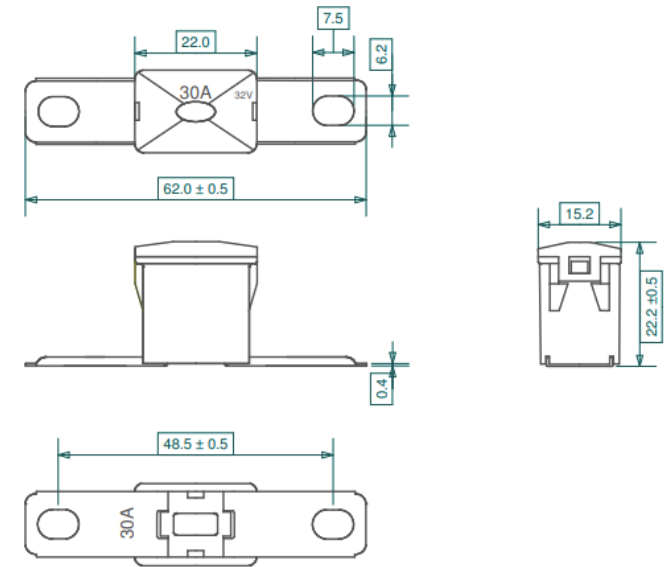
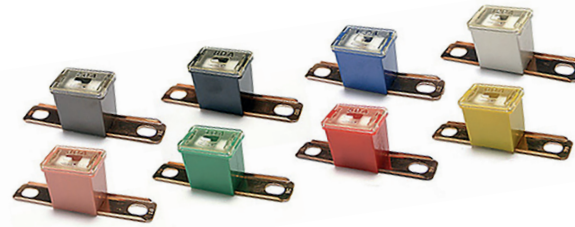
COUNTRY OF ORIGIN
Japan

STANDARDS
REACH and RoHS compliant
ISO 8820-4
JASO D612

CHARACTERISTICS

- Meets international specs, complies to ISO 8820-4, JASO D612 and other standards
- Element visibility from top through transparent cover
- Robust/sturdy body construction
- Self extinguishing, color coded body materials
- High temperature resistive plastics used for fuse body materials
- Secure and controlled time-delayed functioning with purpose designed elements
- Integrated, durable, Cu alloy blades
- Used in Japanese, European, American and Korean designed vehicles

PHOTO / TECHNICAL DRAWING



DIMENSIONS

L x W x H: 22 (+40) x 15,2 x 22,2 mm

RATING TABLE

Part nr.	Color	Rating (A)	Rating (V)
CBF030C	pink	30	32
CBF040C	green	40	32
CBF050C	red	50	32
CBF060C	yellow	60	32
CBF070C	brown	70	32
CBF080C	black	80	32
CBF100C	blue	100	32
CBF120C	white	120	32

TECHNICAL SPECIFICATIONS

Body: PA66-GF20, color coded
Cover: PC, clear
Blades: Cu alloy