

PART NR.
See rating table

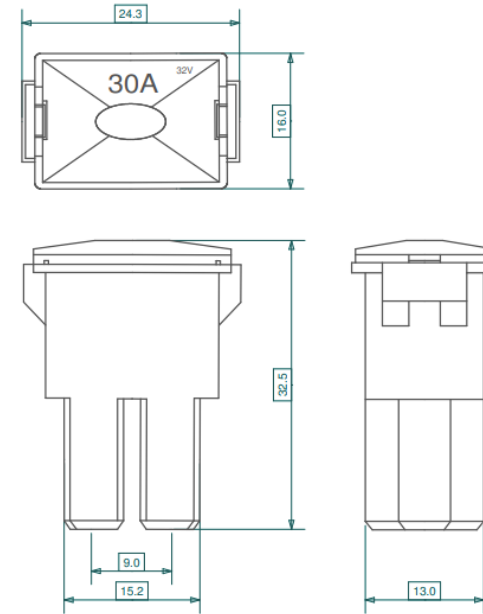
COUNTRY OF ORIGIN
Japan

STANDARDS
REACH and RoHS compliant
ISO 8820-4
JASO D612

CHARACTERISTICS

- Meets international specs, complies to ISO 8820-4, JASO D612 and other standards
- Element visibility from top through transparent cover
- Robust/sturdy body construction
- Self extinguishing, color coded body materials
- High temperature resistive plastics used for fuse body materials
- Secure and controlled time-delayed functioning with purpose designed elements
- Integrated, durable, Cu alloy receptacles
- Used in Japanese, European, American and Korean designed vehicles

PHOTO / TECHNICAL DRAWING



DIMENSIONS

L x W x H: 24,3 x 16 x 32,5 mm

RATING TABLE

Part nr.	Color	Rating (A)	Rating (V)
CBF020AS	light blue	20	32
CBF030AS	pink	30	32
CBF040AS	green	40	32
CBF050AS	red	50	32
CBF060AS	yellow	60	32

TECHNICAL SPECIFICATIONS

Body: PA66-GF20, color coded
Cover: PC, clear
Receptacles: Cu alloy