

PART NR.
FHMD4MG1

COUNTRY OF ORIGIN:
Turkey

STANDARDS:
REACH and RoHS compliant
Flammability: UL94 V-0

CHARACTERISTICS

- M5 threaded studs and hex nuts to secure 4 midiOTO fuses
- M8 threaded studs and hex nuts to secure 1 megaOTO fuse
- UL94 V-0 materials cover & base
- PA66-GF30 body material
- Heavy duty copper busbars included
- Robust holder with cover attached
- Overhang in the cover provides improved protection of the terminals

www.ae-industries.nl

midi-/megaOTO COMBI-FUSE HOLDER

PHOTO / TECHNICAL DRAWING



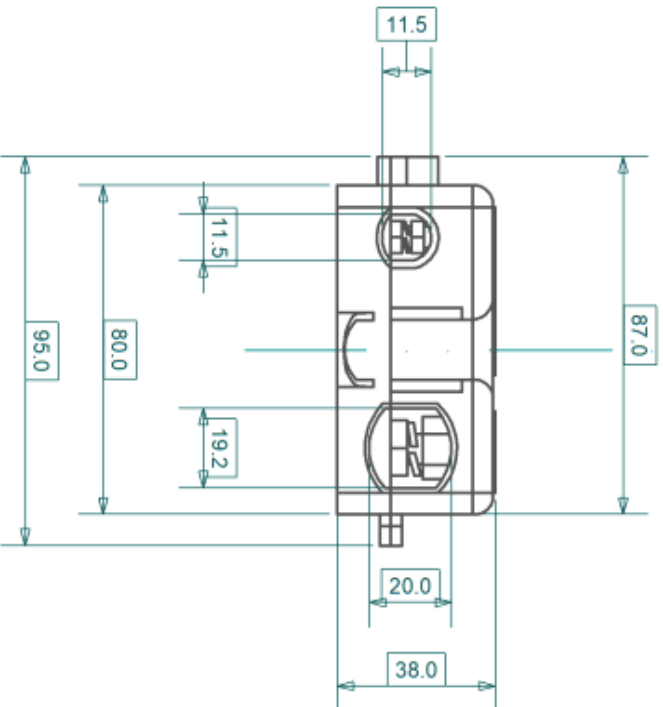
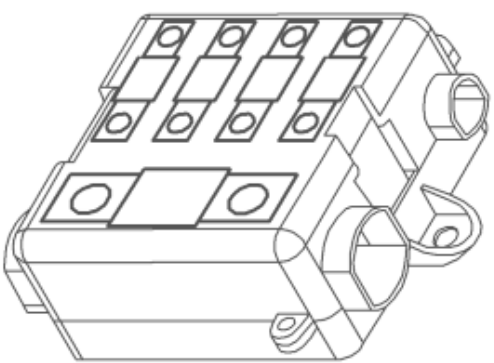
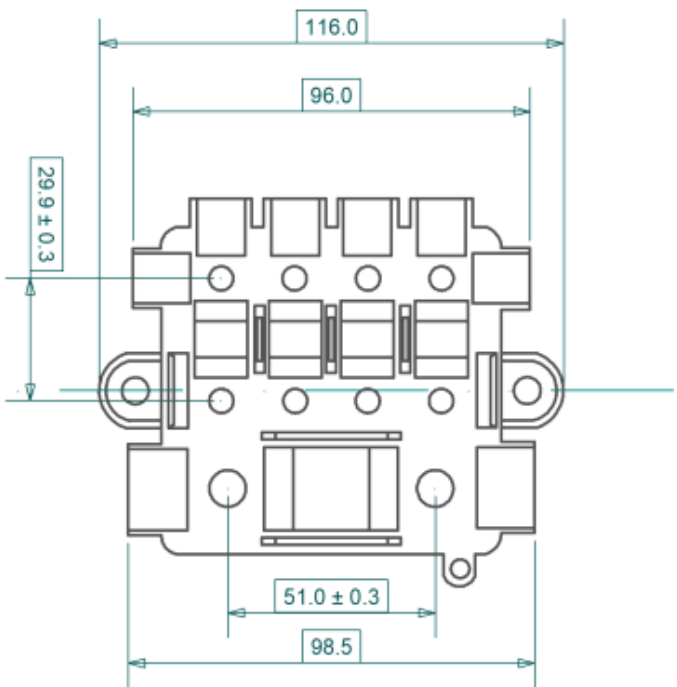
DIMENSIONS

L x W x H:

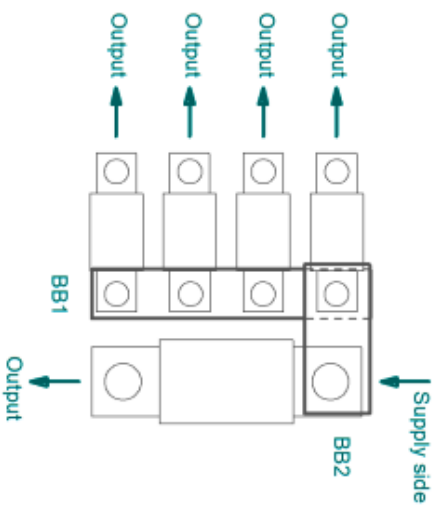
116 x 95 x 38 (incl. cover) mm (body)
67 x 12 x 1,5 mm (BB1)
33,5 x 15 x 1,8 mm (BB2)

TECHNICAL SPECIFICATIONS

Body:	PA66 GF30 FR, black
Cover:	PA6 FR, black
Busbars:	Copper
Studs and hex nuts:	M5 (8x) and M8 (2x)
Nut mounting torque:	2~3 Nm (M5) and 7~9 Nm (M8)
Max. fuse rating:	4 x 200A midiOTO No limit for megaOTO



Busbar configuration (top view)



Note: BB2 can be placed on other side of megaOTQ fuse, also switching supply and output

