

## cubeOTO FUSE HOLDER - HORIZONTAL CONNECTION

**PART NR.**  
See parts table

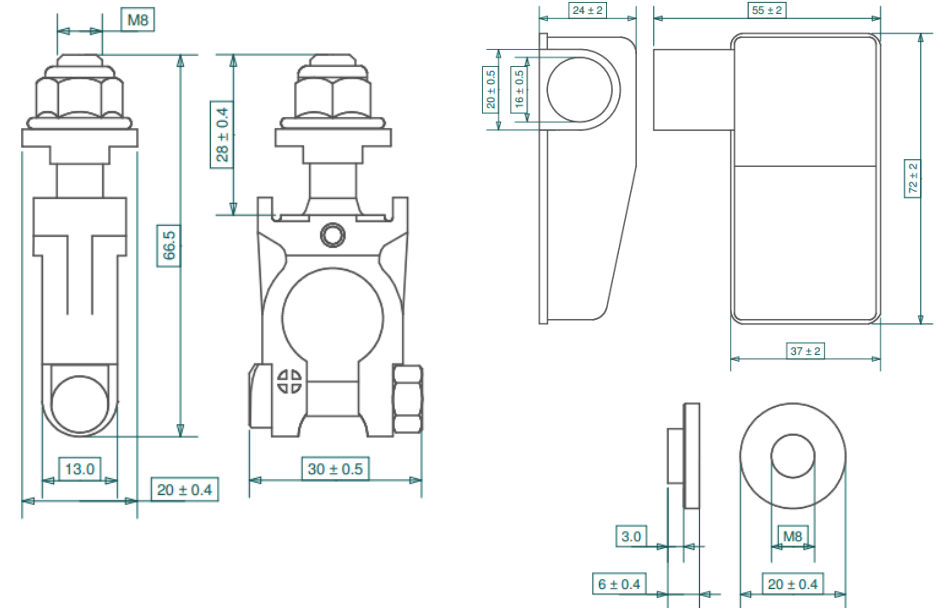
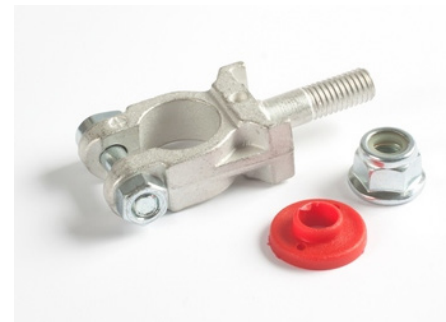
**COUNTRY OF ORIGIN:**  
Germany

**STANDARDS:**  
REACH and RoHS compliant

### CHARACTERISTICS

- Electrical protection at the most desirable place, on the battery
- Compact design resulting in significant space saving
- Sturdy construction in high quality materials
- Easy assembly
- Designed to prevent rotation of the fuse during assembly
- Optional insulating cover for protection
- Cover available in 2 variations, providing the best cable entry option for any application
- Includes application specific insulation washers and self locking nuts

### PHOTO / TECHNICAL DRAWING



### DIMENSIONS

L x W x H:

66,5 x 30 x 20 mm (body)  
72 x 37 (+18) x 24 mm (covers)  
20 x 6 mm (washers)

Ø x H:

### PARTS TABLE

Part nr.	Description
ACPKCUBE101	Holder for OBFMC series (1 position), with insulation washer and self locking nut
ADKA101L	Cover left for use with ACPKCUBE101
ADKA101R	Cover right for use with ACPKCUBE101

### TECHNICAL SPECIFICATIONS

Body:

Brass, tin plated

Bolts and nuts:

Steel, Zn plated

Washer:

Nylon, red

Covers:

PVC, red

Bolt, nut and washer:

M8