

# cubeOTO BOLT-ON FUSE - OBFMC SERIES

**PART NR.**  
See rating table

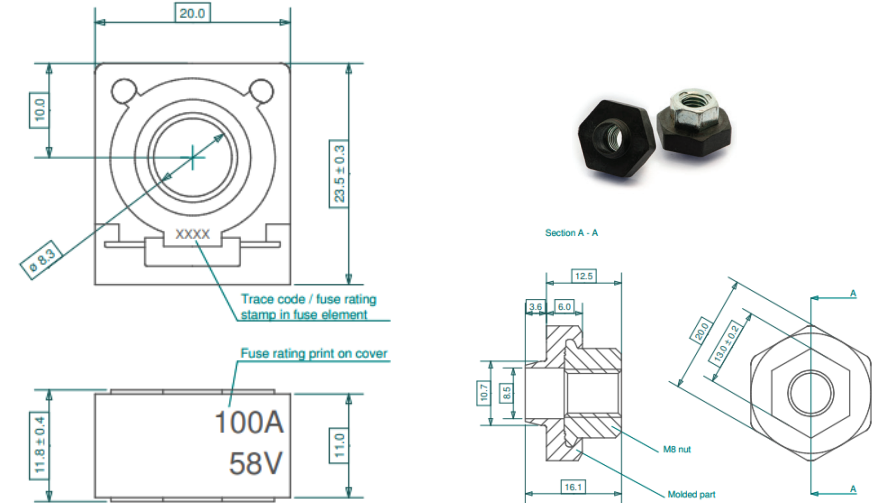
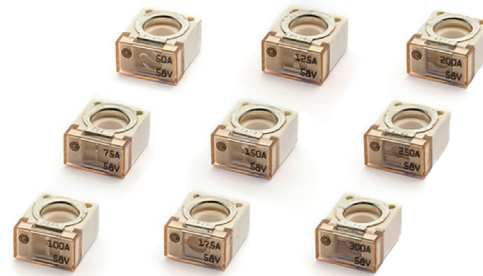
**COUNTRY OF ORIGIN**  
Germany

**STANDARDS**  
REACH and RoHS compliant  
ISO 8820-6

**CHARACTERISTICS**

- Meets international specs, complies to ISO 8820-6
- Element visibility
- Ceramic body material
- Single bolt fuse type technology, M8 connection
- Integrated, endurable Cu-fusing part
- Use insulating nut (not included) or equivalent alternative
- New innovative, space saving slow blow fuse series

**PHOTO / TECHNICAL DRAWING**



**DIMENSIONS**

L x W x H: 23,5 x 20 x 11,8 mm

**RATING TABLE**

Part nr.	Color	Rating (A)	Rating (V)	Holes
OBFMC050	white	50	58	M8
OBFMC075	white	75	58	M8
OBFMC100	white	100	58	M8
OBFMC125	white	125	58	M8
OBFMC150	white	150	58	M8
OBFMC175	white	175	58	M8
OBFMC200	white	200	58	M8
OBFMC250	white	250	58	M8
OBFMC300	white	300	58	M8
CF-M8	M8 insulation nut			

**TECHNICAL SPECIFICATIONS**

Body: Ceramics  
 Element: Cu alloy, tin plated  
 Hole size: M8  
 Max. torque: 12 ± 1 Nm  
 Nut: M8 hex nut, steel, tin plated  
 With black PPS moulded insulation