

PART NR.
See rating table

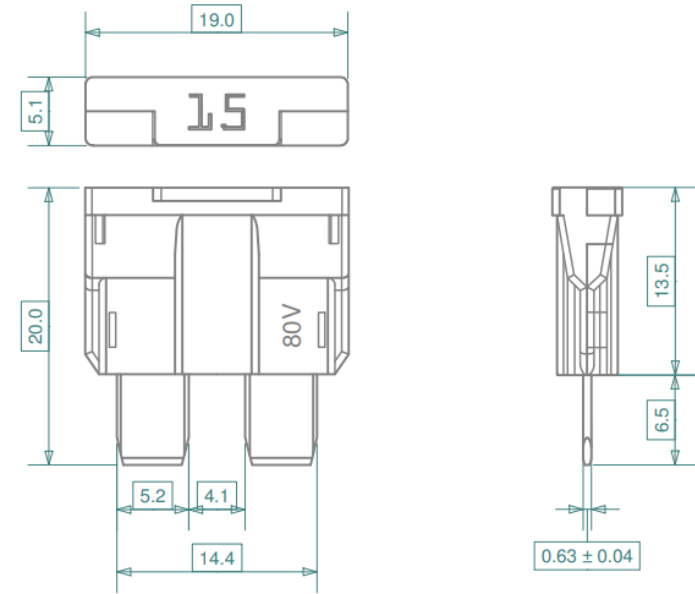
COUNTRY OF ORIGIN
Slovenia

STANDARDS
REACH and RoHS compliant
ISO 8820 (blowing times)
Flammability: UL94 V-0

CHARACTERISTICS

- Meets international specs, complies to ISO 8820
- Blade rigidity through robust/sturdy body construction
- Application specific EU developed melting element
- Blade material: Cu, Sn plating
- Color coded body materials, rating marked on top using OCR font
- Self extinguishing (UL94 V-0) 25% GF body materials
- Suitable for use in low voltage applications up to 80Vdc

PHOTO / TECHNICAL DRAWING



DIMENSIONS

L x W x H: 19 x 5,1 x 13,5 (+6,5) mm

RATING TABLE

Part nr.	Color	Rating (A)	Rating (V)
SBF1801	black	1	80
SBF1802	grey	2	80
SBF1803	violet	3	80
SBF1804	pink	4	80
SBF1805	tan	5	80
SBF1875	brown	7,5	80
SBF1810	red	10	80
SBF1815	blue	15	80
SBF1820	yellow	20	80
SBF1825	natural	25	80
SBF1830	green	30	80
SBF1840	orange	40	80

TECHNICAL SPECIFICATIONS

Body: PA66-GF25, color coded
Element: Cu, Sn plated
Breaking capacity: 1000A@80Vdc