

PART NR.
See rating table

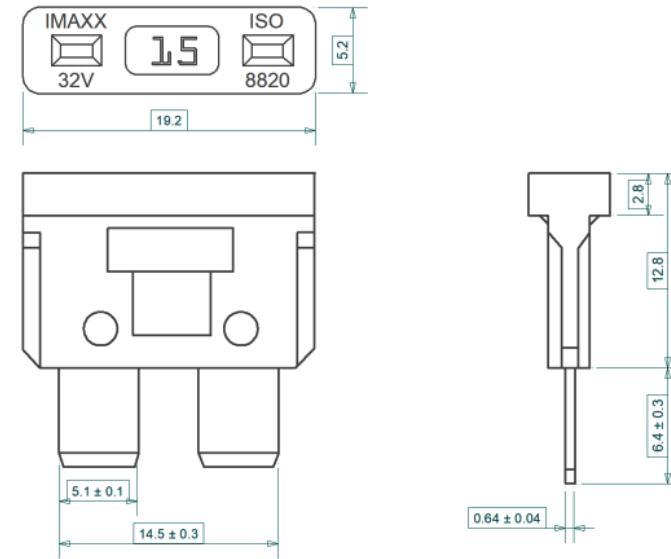
COUNTRY OF ORIGIN
Japan (SBF1501P and SBF1502P)
Slovenia (SBF1503 to SBF1540)

STANDARDS
REACH and RoHS compliant
ISO 8820-3
JASO D612
SAE J1284

CHARACTERISTICS

- Meets international specs, complies to ISO 8820-3, JASO D612, SAE J1284 and other standards
- Check fuse in fuse block using test points at top of the fuse
- Element visibility from sides, transparent fuse bodies
- Blade rigidity through robust/sturdy body construction
- Safe and highly reliable/consistent operation with a single piece construction
- Self extinguishing transparent, color coded body materials
- High temperature resistive plastics used for fuse body materials
- Secure and reliable functioning with purpose designed S + Ω element shapes
- Rating marked on top using OCR font

PHOTO / TECHNICAL DRAWING



DIMENSIONS

L x W x H: 19,2 x 5,2 x 12,8 (+6,4) mm

RATING TABLE

Part nr.	Color	Rating (A)	Rating (V)
SBF1501P*	black	1	32
SBF1502P	grey	2	32
SBF1503	violet	3	32
SBF1504	pink	4	32
SBF1505	tan	5	32
SBF1575	brown	7,5	32
SBF1510	red	10	32
SBF1515	blue	15	32
SBF1520	yellow	20	32
SBF1525	natural	25	32
SBF1530	green	30	32
SBF1535	dark green	35	32
SBF1540	orange	40	32

* ISO 8820-3, 135% load not applicable for this rating