

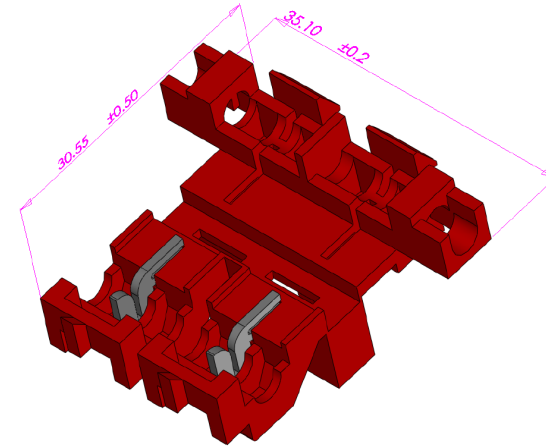
## QUICK SPLICE CONNECTOR - FUSE HOLDER

**PART NR.**  
**CL10FUSE**

**COUNTRY OF ORIGIN:**  
**Taiwan**

**STANDARDS:**  
**REACH and RoHS compliant**

### PHOTO / TECHNICAL DRAWING



### DIMENSIONS

Wire range	Part nr.	B	L	UL
22~18 AWG 0,5~1,0 mm <sup>2</sup>	CL 1.0-FUSE	35,1	30,55	

### TECHNICAL SPECIFICATIONS

Terminal:	Brass, tin plated
Insulation:	Polypropylene (PP)
Color:	Red
Max. temperature:	105 °C
Max. electrical current:	600V
Max. electrical rating:	7A