

**PART NR.**  
See parts table

**COUNTRY OF ORIGIN:**  
Italy

**STANDARDS:**  
REACH and RoHS compliant

**CHARACTERISTICS**

- 6,3 mm vertical tabs, 2-in, 2-out per fuse position
- Robust 8 position holder with clear cover and O-ring
- Clear cover clicks on 4 places sturdily to the base unit
- Keyed and marked, 1 through 8 and A through H, connector set for professional wiring interface
- Multi connectors suited for Tyco positive lock female terminals with excellent connection and retention forces
- Each of the 4 connectors can be individually hooked up to the fuse holder base unit
- Secondary lock for the positive lock terminals optional
- Jumper option on component side for easy bus-bar interconnects

**PHOTO / TECHNICAL DRAWING**



**DIMENSIONS**

L x W x H:

- 150 x 29 x 24 mm (body)
- 127 x 26,5 x 20 mm (cover)
- 31 x 26,2 x 24,2 mm (connector key)
- 15,8 x 2,8 x 12,5 mm (jumper)
- 12,8 x 9,9 x 16,8 mm (secondary lock)

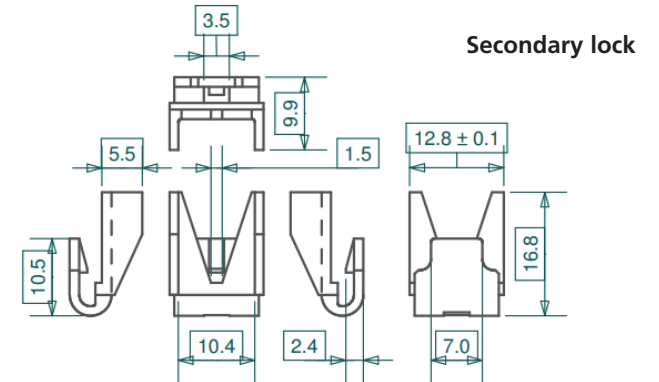
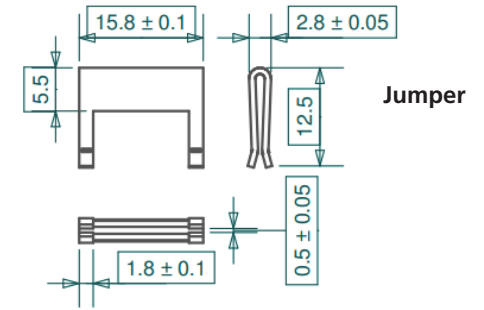
**PARTS TABLE**

Part nr.	Description
FH1295	Eight-position holder with clear cover and O-ring seal for SBF1500, SBF1800 and SBF1900 series
FH1281PL	Connector key 1, pos 1-2/A-B for use with FH1295
FH1282PL	Connector key 2, pos 3-4/C-D for use with FH1295
FH1283PL	Connector key 3, pos 5-6/E-F for use with FH1295
FH1284PL	Connector key 4, pos 7-8/G-H for use with FH1295
FH1291	Jumper for use with FH1275 and FH1295
FH1292	Secondary lock for use with FH1295

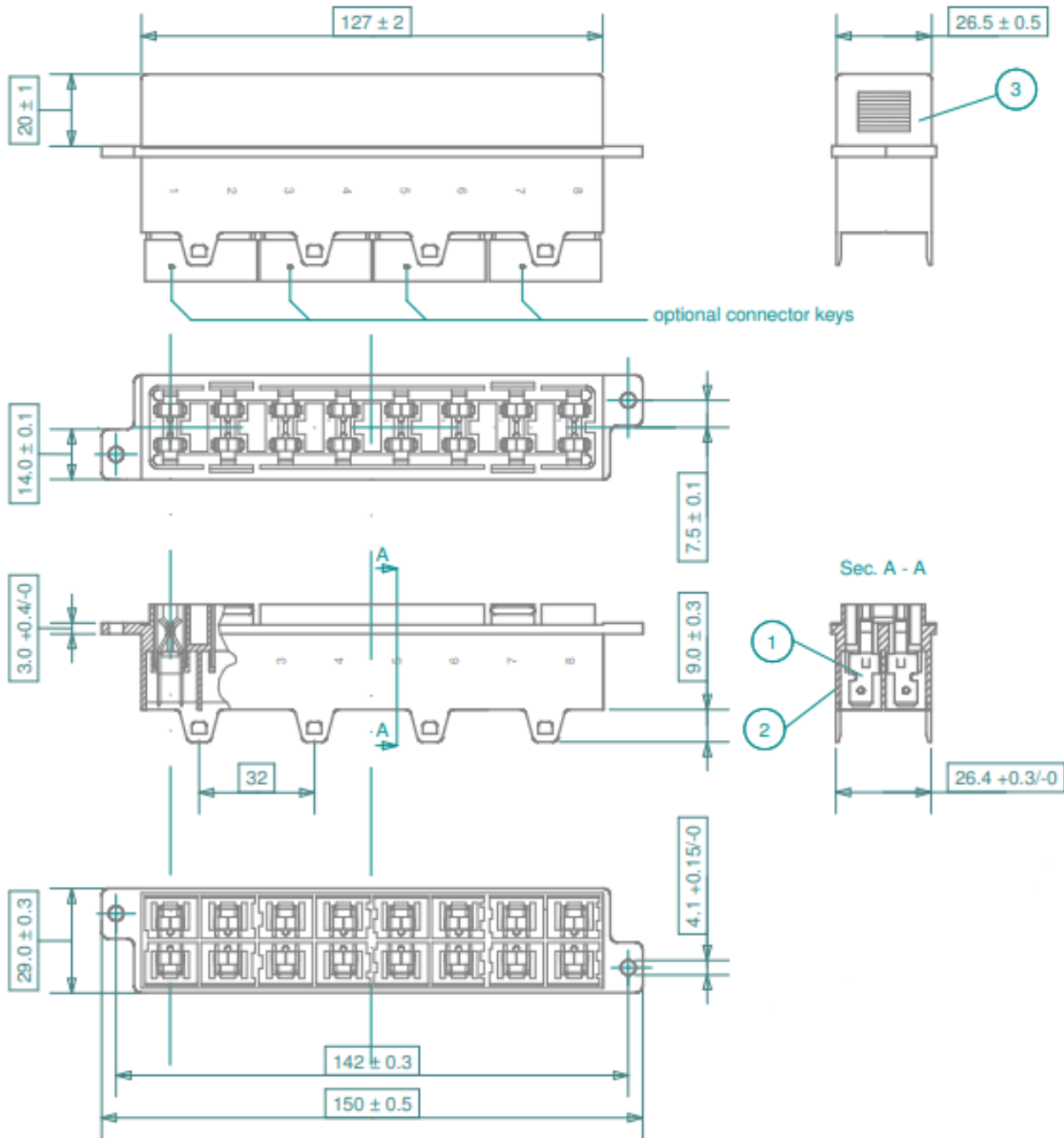
**TECHNICAL SPECIFICATIONS**

- Body: PA66, black
- Cover: PC, clear  
With O-ring seal
- Contacts: CuSn9, tin plated

**normOTO EIGHT-POSITION FUSE HOLDER - TERMINAL CONNECT**



### Body and cover



### Connector key

