

normOTO SIX-POSITION FUSE HOLDER - TERMINAL CONNECT

PART NR.
See parts table

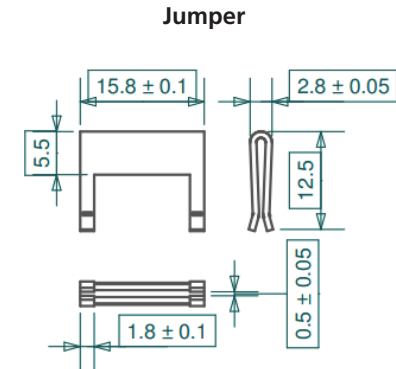
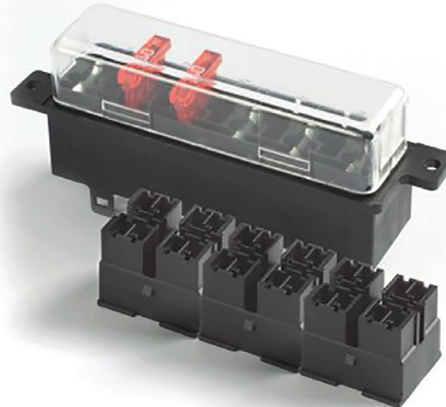
COUNTRY OF ORIGIN:
Italy

STANDARDS:
REACH and RoHS compliant

CHARACTERISTICS

- 6,3 mm vertical tabs, 2-in, 2-out per fuse position
- Robust 6 position holder with clear cover and cover O-ring
- Keyed and marked, 1 through 6 and A through F, connector set for professional wiring interface (use with 6,3 mm faston terminals).
- Jumper option on component side for easy bus-bar interconnects

PHOTO / TECHNICAL DRAWING



DIMENSIONS

L x W x H: 118 x 29 x 24 mm (body)
 95 x 26,4 x 19 mm (cover)
 31 x 26,2 x 24,2 mm (connector key)
 15,8 x 2,8 x 12,5 mm (jumper)

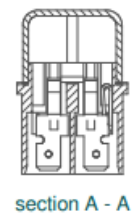
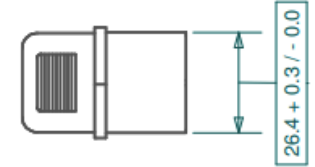
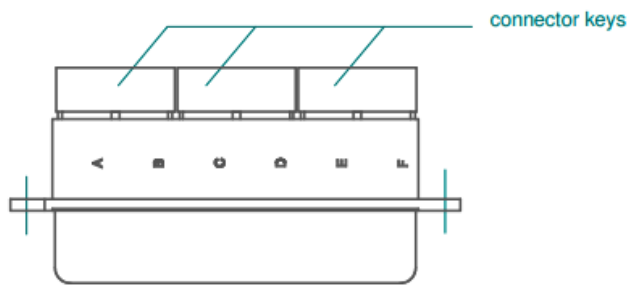
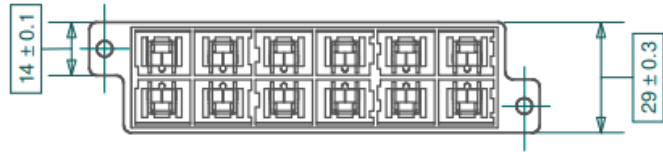
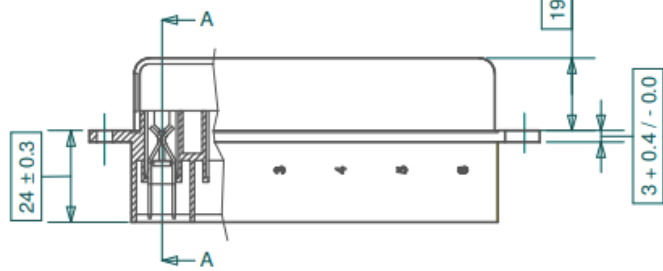
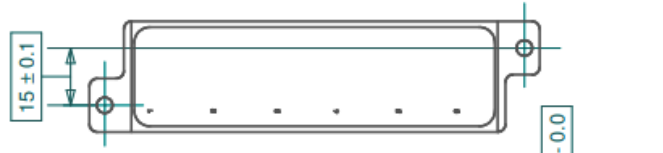
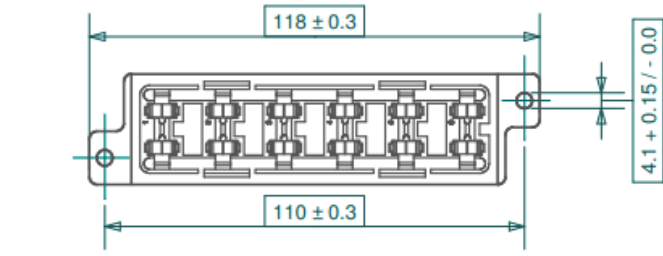
PARTS TABLE

Part nr.	Description
FH1275	Six-position holder with clear cover and O-ring seal for SBF1500, SBF1800 and SBF1900 series
FH1281	Connector key 1, pos 1-2/A-B for use with FH1275
FH1282	Connector key 2, pos 3-4/C-D for use with FH1275
FH1283	Connector key 3, pos 5-6/E-F for use with FH1275
FH1291	Jumper for use with FH1275 and FH1295

TECHNICAL SPECIFICATIONS

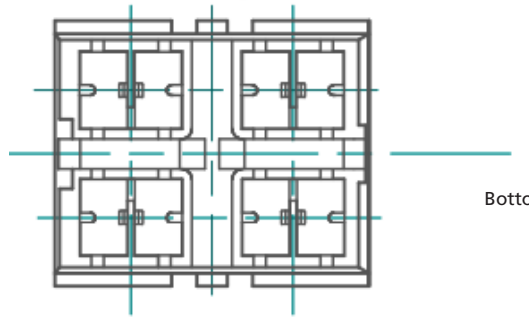
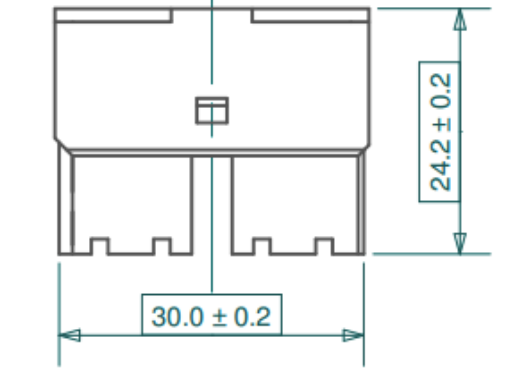
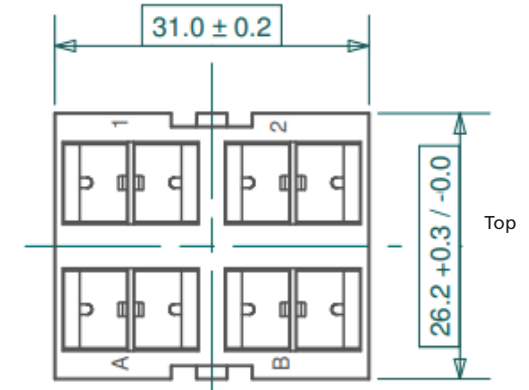
Body: PA66, black
 Cover: PC, clear
 With O-ring seal
 Contacts: CuSn9, tin plated

Body and cover



section A - A

Connector key



Bottom