

normOTO FUSE HOLDER - CRIMP CONNECT

PART NR.

See parts table

COUNTRY OF ORIGIN:

Italy

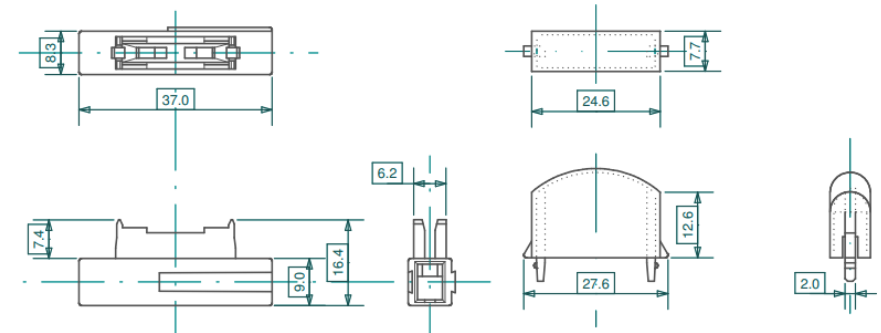
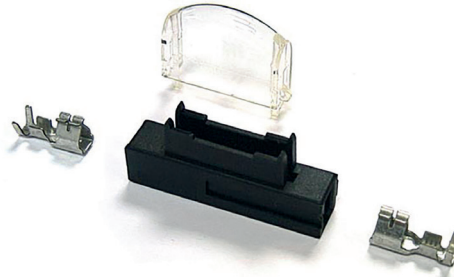
STANDARDS:

REACH and RoHS compliant

CHARACTERISTICS

- Sn plated fuse receptacles, reeled or loose
- Stackable, to create multi-position holder
- Secondary locking of receptacles, using clear cover
- Horizontal insertion of fuse receptacles

PHOTO / TECHNICAL DRAWING



DIMENSIONS

L x W x H: 37 x 8,3 x 16,4 mm (body)
27,6 x 7,7 x 12,6 mm (cover)

PARTS TABLE

Part nr.	Description
FH1130	Holder with clear cover for SBF1500 and SBF1900 series (1 position)

TECHNICAL SPECIFICATIONS

Body: PA66-GF30, black
Cover: PC Lexan 121R, clear
Contacts: Brass 70 H30, Sn plated
Wire range: 0,75~2,0 mm²
Insulation Ø: 2,0~3,5 mm