

PART NR.
See parts table

COUNTRY OF ORIGIN:
Italy

STANDARDS:
REACH and RoHS compliant
Protection: IP56 (with cover)
Flammability: UL94 V-0

CHARACTERISTICS

- 1,5 mm² black or 2,5 mm² red cable, 235 mm each side
- Box-type phosphor bronze CuSn fuse receptacles
- Splash waterproof with cover (IP56)
- Self-extinguishing body and cover materials
- Mounting base plate optional (FH1307)

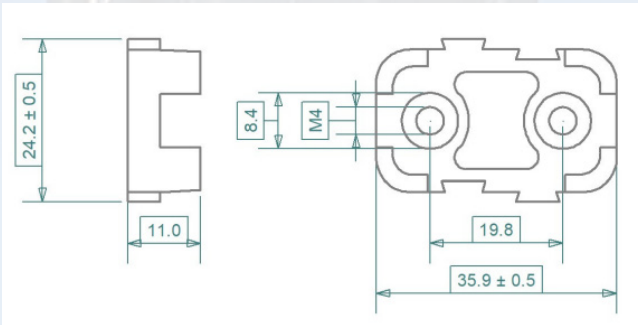
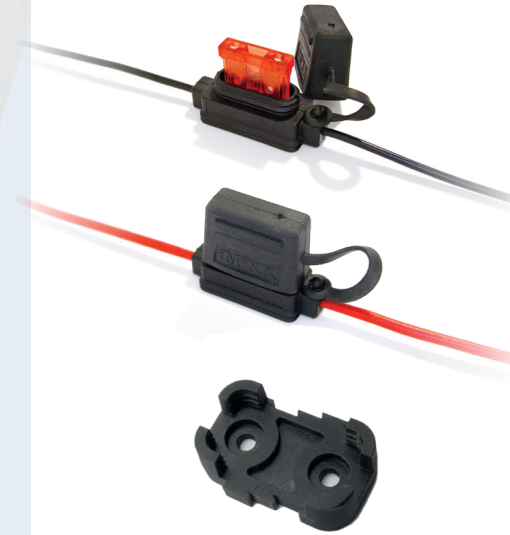
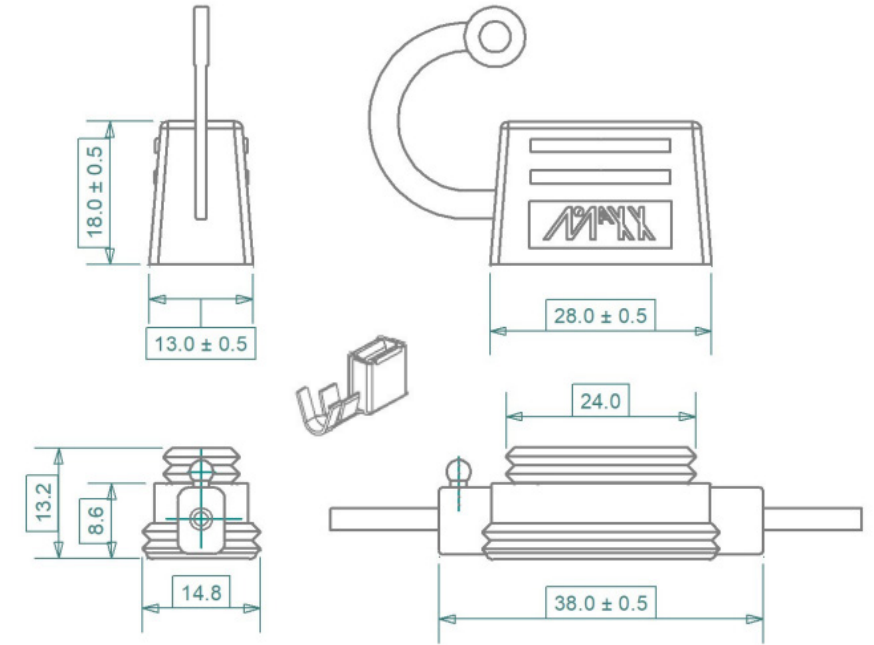


PHOTO / TECHNICAL DRAWING



DIMENSIONS

normOTO WATERPROOF FUSE HOLDER - CABLE CONNECT



L x W x H:
38 x 14,8 x 13,2 mm (body)
28 x 13 x 18 mm (cover)
35,9 x 24,2 x 11 mm (bracket)

PARTS TABLE

Part nr.	Description
FH1325	Holder for SBF1500 and SBF1900 series up to 20A (1 position), 1,5 mm ² black cable
FH1335	Holder for SBF1500 and SBF1900 series up to 30A (1 position), 2,5 mm ² red cable
FH1307	Mounting bracket for FH1325 and FH1335, stackable, supplied without holder

TECHNICAL SPECIFICATIONS

Body: PUR, black
Cover: Forprene, black
Contacts: Phosphor bronze, box type
Bracket: PA66-GF30, black
Cable: 1,5 mm², thin wall insulation, black
2,5 mm², thin wall insulation, red
235 ± 10 mm each side