

PART NR.
FH365025

COUNTRY OF ORIGIN:
China

STANDARDS:
REACH and RoHS compliant

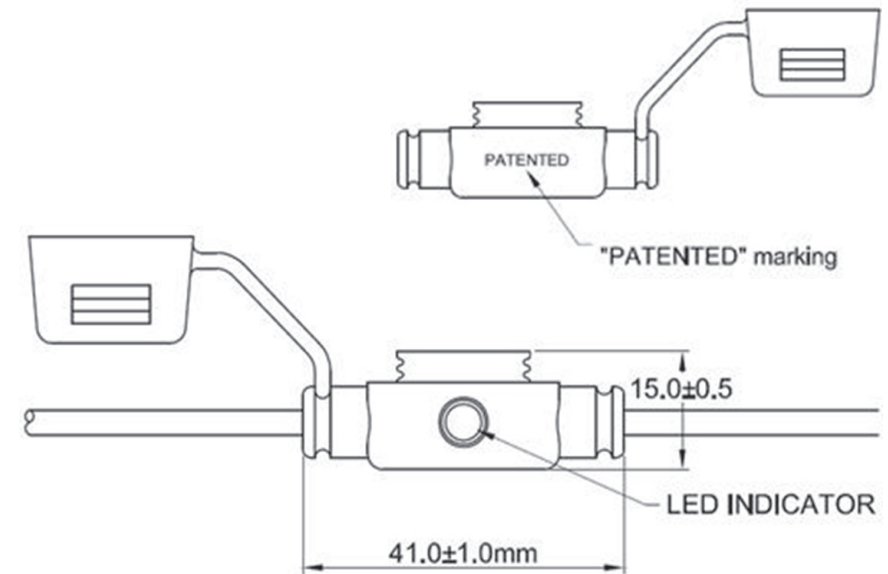
CHARACTERISTICS

- In-line single fuse holder for standard mini blade fuses
- An LED built into the side of the holder that glows when the fuse blows, saving time and frustration by enabling easy fault identification
- The cap prevents water ingress and is tethered to the fuse holder body to prevent loss
- Max. electrical rated: 30A / 32V
- Black rubber body with black cover
- Tin plated brass contacts
- Splash waterproof type

PHOTO / TECHNICAL DRAWING



MINI BLADE FUSE HOLDER WITH LED INDICATOR - CABLE CONNECT



DIMENSIONS

L x H: 41 x 15 mm (body)

TECHNICAL SPECIFICATIONS

Body:	Rubber, black
Cover:	Black
Contacts:	Brass, tin plated
Cable:	2,5 mm ² , 110 mm each side, red
Max. rating:	30A, 32V