

PART NR.
See parts table

COUNTRY OF ORIGIN:
Italy

STANDARDS:
REACH and RoHS compliant
ISO 7588-3 (contact layout FH7280)

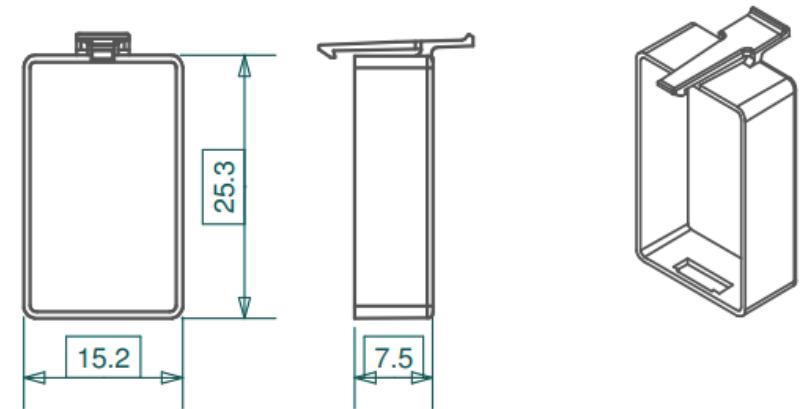
CHARACTERISTICS

- Robust 4 position holder, mounting bracket integrated
- Fuse receptacles Lear and/or Tyco compatible
- Stackable (also to FH7280 micro relay module)
- Optional cover
- Vertical insertion of fuse receptacles
- Combines with micro relay module (3x4.8/2x6.3 mm) FH7280
- ISO 7588-3 contact layout for FH7280 micro relay module
- Relay receptacles Lear and/or Tyco compatible

PHOTO / TECHNICAL DRAWING



FOUR-POSITION miniOTO FUSE HOLDER - CRIMP CONNECT



DIMENSIONS

L x W x H: 15,1 x 32 x 36 mm (body)
 15,2 x 25,3 x 7,5 mm (cover)
 15,1 x 32 x 36 mm (relay module)

PARTS TABLE

Part nr.	Description
FH7210	Four-position holder for BF7000 and SBF7900 series
FH7205	black cover for use with FH7210
FH7280	ISO 7588-3 micro relay module (3 x 4,8 mm + 2 x 6,3 mm)

TECHNICAL SPECIFICATIONS

Body: PB-GF20, black
Cover: POM, black
Relay module: PB-GF20, black

