

## miniOTO FUSE HOLDER - CABLE CONNECT

**PART NR.**  
See parts table

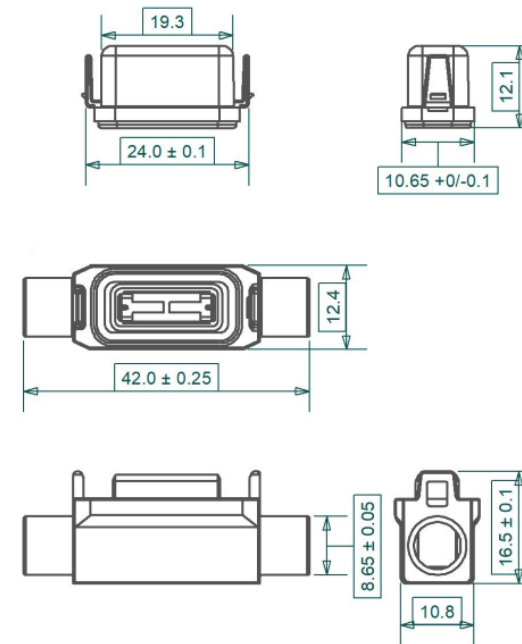
**COUNTRY OF ORIGIN:**  
Taiwan

**STANDARDS:**  
REACH and RoHS compliant  
Protection: IP56 (with cover)

### CHARACTERISTICS

- 1,5 mm<sup>2</sup> black or 2,5 mm<sup>2</sup> red cable, 130 mm each side
- Fuse receptacles CuZn33, Sn plated
- Robust black holder body (PA6-GF30)
- Clear cover (PC) with integrated O-ring
- Splash waterproof, when used with cover (IP56)

### PHOTO / TECHNICAL DRAWING



### DIMENSIONS

L x W x H: 42 x 12,4 x 16,5 mm (body)  
24 x 10,65 x 12,1 mm (cover)

### PARTS TABLE

Part nr.	Description
FH7325	Holder with cover for BF7000 and SBF7900 series (1 position), 1,5 mm <sup>2</sup> black cable
FH7335	Holder with cover for BF7000 and SBF7900 series (1 position), 2,5 mm <sup>2</sup> red cable

### TECHNICAL SPECIFICATIONS

Body: PA6-GF30, black  
Cover: PC, clear  
Contacts: CuZn33, Sn plated  
Cable: 1,5 mm<sup>2</sup>, black  
2,5 mm<sup>2</sup>, red  
130 ± 5 mm each side