

**PART NR.**  
**FH370608**

**COUNTRY OF ORIGIN:**  
Taiwan

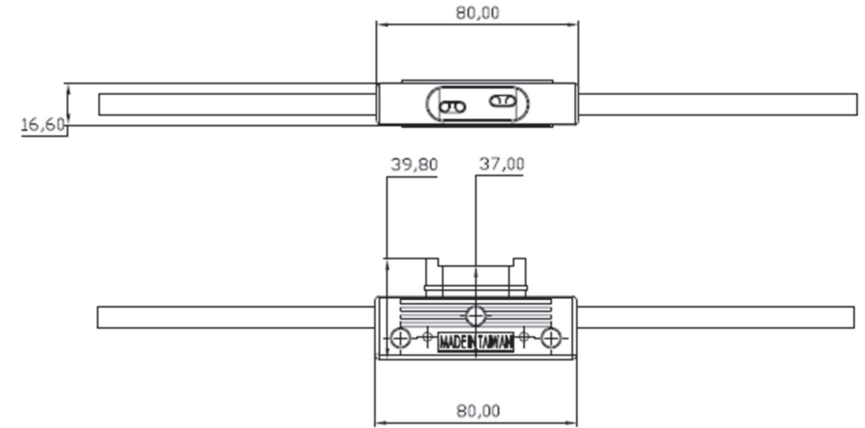
**STANDARDS:**  
REACH and RoHS compliant

**CHARACTERISTICS**

- In-line single fuse holder for standard maxi blade fuses
- The cap prevents water ingress and is tethered to the fuse holder body to prevent loss
- Max. electrical rated: 100A / 32V
- Black bakelite body with black TPR cover
- Water resistant type
- Black cable, 10 mm<sup>2</sup>, 200 mm on each side

**MAXI BLADE FUSE HOLDER - CABLE CONNECT**

**PHOTO / TECHNICAL DRAWING**



**DIMENSIONS**

L x W x H: 80 x 16,6 x 39,8 mm (body)

**TECHNICAL SPECIFICATIONS**

Body: Bakelite, black  
Cover: TPR, black  
Cable: 10 mm<sup>2</sup>, 200 mm each side, black  
Max. rating: 100A, 32V