

PART NR.
FH360808

COUNTRY OF ORIGIN:
Taiwan

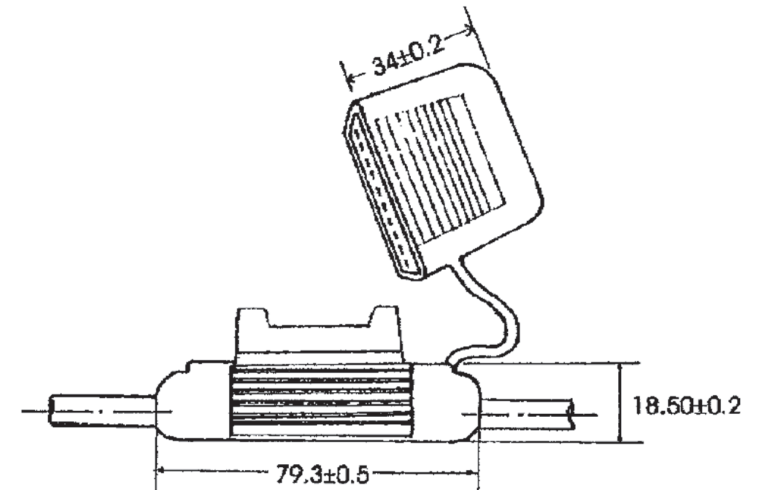
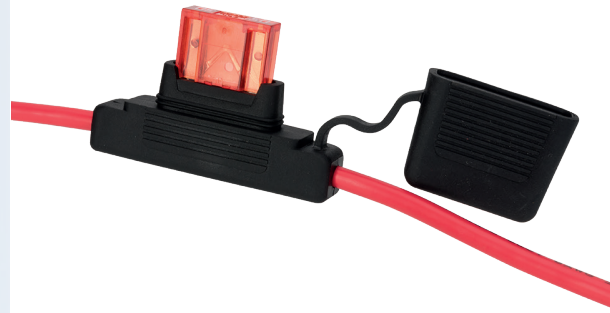
STANDARDS:
REACH and RoHS compliant

CHARACTERISTICS

- In-line single fuse holder for standard maxi blade fuses
- The cap prevents water ingress and is tethered to the fuse holder body to prevent loss
- Max. electrical rated: 60A / 32V
- Black TPR body with black cover
- Water resistant type
- Red cable, 8 mm², 200 mm on each side

MAXI BLADE FUSE HOLDER - CABLE CONNECT

PHOTO / TECHNICAL DRAWING



DIMENSIONS

L x H: 79,3 x 52,2 mm (including cover)

TECHNICAL SPECIFICATIONS

Body: TPR, black
Cover: Black
Cable: 8 mm², 200 mm each side, red
Max. rating: 60A, 32V