

**PART NR.**  
See rating table

**COUNTRY OF ORIGIN:**  
Slovenia

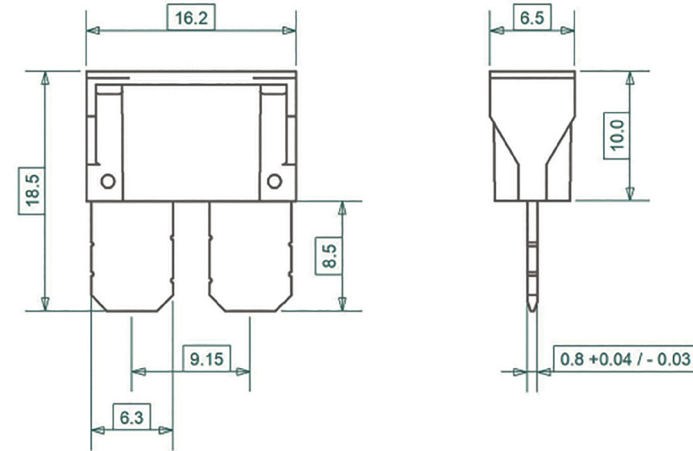
**STANDARDS:**  
REACH and RoHS compliant  
ISO 8820-10  
Flammability: UL94 V2

**CHARACTERISTICS**

- Meets international specs, complies to ISO 8820-10
- Element visibility from side, semi-transparent fuse body
- Check fuse in fuse block using test points at top of the fuse
- Safe and highly reliable/consistent operation with a single piece construction
- Color coded body materials with OCR printed rating
- High temperature resistive plastics used for fuse body materials
- Time-delayed functioning with purpose designed element shapes
- Body material PA66 (UL 94 flammability rating V2)
- Element material, zinc alloy, silver plated blades

**maxiOTO BLADE FUSE - COMPACT BF9000-63 SERIES**

**PHOTO / TECHNICAL DRAWING**



**DIMENSIONS**

L x W x H: 16,2 x 6,5 x 10,0 (+8,5) mm

**RATING TABLE**

Part nr.	Color	Rating (A)	Rating (V)
BF9020-63	yellow	20	32
BF9025-63	grey	25	32
BF9030-63	green	30	32
BF9035-63	light green	35	32
BF9040-63	orange	40	32
BF9050-63	red	50	32
BF9060-63	blue	60	32