

PART NR.
HT1000PT

COUNTRY OF ORIGIN:
Taiwan

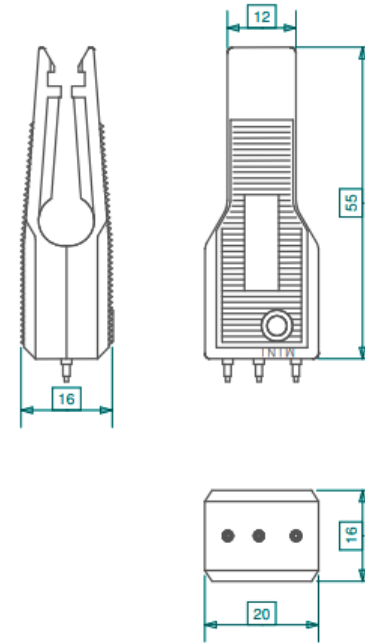
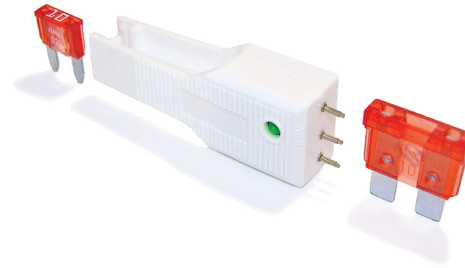
STANDARDS:
REACH and RoHS compliant

CHARACTERISTICS

- Twin puller and tester for normOTO and miniOTO blade fuses
- Test fuses in or out of the fuse box
- LED lights bright green when the fuse is OK
- Dimensions 55 x 20 mm, color white

norm- & miniOTO FUSE PULLER/TESTER

PHOTO / TECHNICAL DRAWING



DIMENSIONS

L x W x H: 55 x 20 x 16 mm

TECHNICAL SPECIFICATIONS

Body: PA66, white